

Spare Parts Catalogue

Version: 2023/02/27a NO



Invacare®
Orion^{METRO} / Orion^{PRO}



Yes, you can.®

General Information

For any order of spare parts the following information is required:

- Product type*
- Product name & model*
- Serial Number*
- Part-Number*
- Part-Description*

Exploded view drawings and code numbers are not contractual and subject to modification, in relation to Invacare® continuous product improvement policy to meet end users needs.

The reproduction or use of this work, or of any substantial part of this work, in any form or by any electronic, mechanical or other means, including photocopying, scanning and recording, and in any information storage and retrieval system, including electronic transmission, is forbidden without the prior written permission of Invacare® International Sarl.



Yes, you can.[®]

TABLE OF CONTENTS

(Chassis, Shrouds & Lights)

| | |
|--------------------------------------|----|
| (Front Frame 3-Wheel - Metro) | 5 |
| (Front Shroud 3-Wheel - Metro) | 6 |
| (Front Frame 3-Wheel - Pro) | 7 |
| (Front Shroud 3-Wheel - Pro) | 8 |
| (Front Frame 4-Wheel - Metro) | 9 |
| (Front Shroud 4-Wheel - Metro) | 10 |
| (Front Frame 4-Wheel - Pro) | 11 |
| (Front Shroud 4-Wheel - Pro) | 12 |
| (Rear Frame / Motor Swing) | 13 |
| (Rear Shroud) | 14 |
| (Rear bumper shroud) | 15 |
| (Colour Panels (6 pieces)) | 16 |
| (Light system) | 17 |
| (Light System) | 18 |

(Seating)

| | |
|---------------------------|----|
| (Seats & Headrests) | 19 |
| (Seat Bracket) | 20 |
| (Slide Assembly) | 21 |
| (Armrests) | 22 |
| (Seat Post) | 23 |

(Wheels)

| | |
|---------------------------|----|
| (Wheels - 5" rim) | 24 |
| (Wheels - 6" rim) | 26 |
| (Anti-tipper wheel) | 27 |

(Propulsion)

| | |
|--------------------------------------|----|
| (Propulsion Metro 6 & 10 km/h) | 28 |
| (Propulsion Metro 12 km/h) | 29 |
| (Propulsion Metro 12 km/h) | 30 |
| (Propulsion Pro 6-15 km/h) | 31 |
| (Propulsion Pro 6-15 km/h) | 32 |

(Brakes)

| | |
|---|----|
| (Front Break 3-Wheel - Metro) | 33 |
| (Front Break 3-Wheel - Pro) | 34 |
| (Front Break 4-Wheel - Metro/Pro) | 35 |

(Steering)

| | |
|--|----|
| (Steering Head) | 36 |
| (Steering Components) | 37 |
| (Front Fork 3-Wheel - Metro) | 38 |
| (Front Fork 3-Wheel - Pro) | 39 |
| (Front Suspension 4-Wheel - Metro) | 40 |
| (Front Suspension 4-Wheel - Pro) | 41 |



Yes, you can.[®]

TABLE OF CONTENTS

(Batteries, Cables & Charger)

| | |
|----------------------------|----|
| (Batteries & Cables) | 42 |
| (Chargers) | 43 |
| (Chargers) | 44 |
| (Chargers) | 45 |

(Electronic)

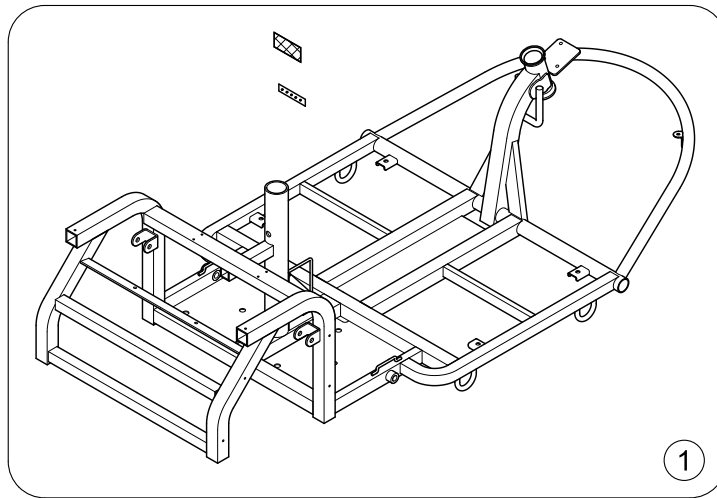
| | |
|--|----|
| (Electronic components) | 46 |
| (Powerbox & Speed limit trigger) | 47 |

(Spare parts for Accessories)

| | |
|----------------------------------|----|
| (Safety) | 48 |
| (Warning Triangle) | 49 |
| (Seating) | 50 |
| (Walking support) | 51 |
| (Rollator bracket) | 52 |
| (Storage) | 53 |
| (Storage box rear bracket) | 54 |
| (Bumpers) | 55 |
| (Other Options) | 56 |

Invacare® Orion (Pegasus) METRO/PRO|(Chassis, Shrouds & Lights)
(Front Frame 3-Wheel - Metro)

1638623 iso



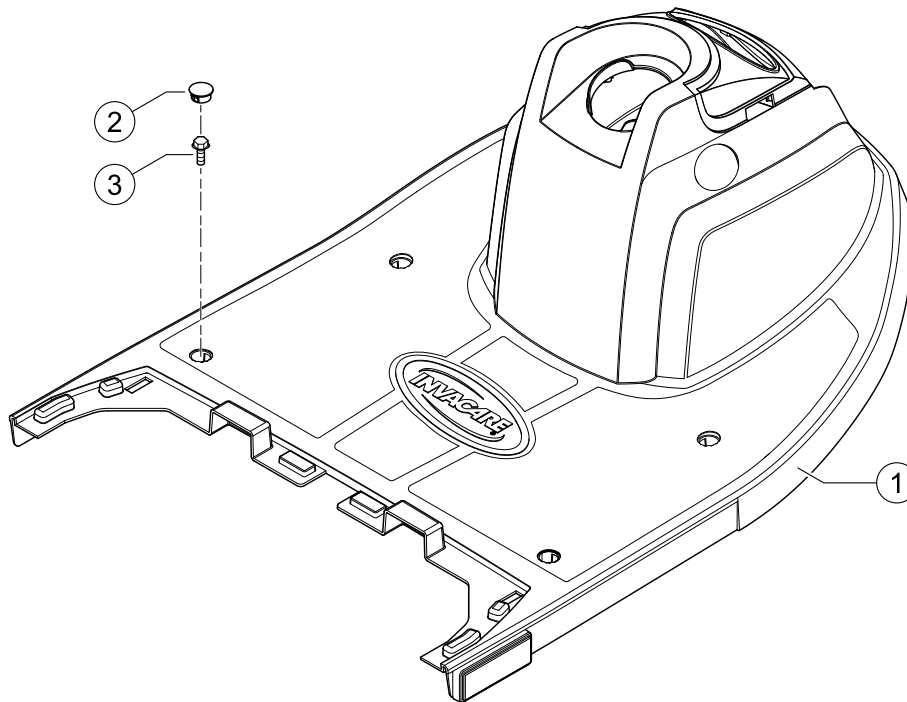
1 SP1638663

(Frame, cpl. - Metro 3-Wheel)

1

(Front Shroud 3-Wheel - Metro)

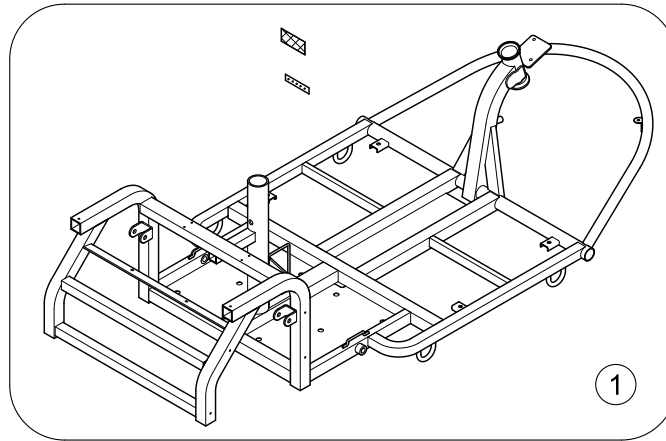
1638857.iso



| | | | |
|---|-----------|--------------------------------|---|
| 1 | SP1638851 | (Front Shroud - Metro 3-Wheel) | 1 |
| 2 | SP1521585 | DEKKBRIKKEORION PRO | 1 |
| 3 | 1505481 | BOLT SETERAMMEORION PRO | 4 |

Invacare® Orion (Pegasus) METRO/PRO|(Chassis, Shrouds & Lights)
(Front Frame 3-Wheel - Pro)

1638924.iso



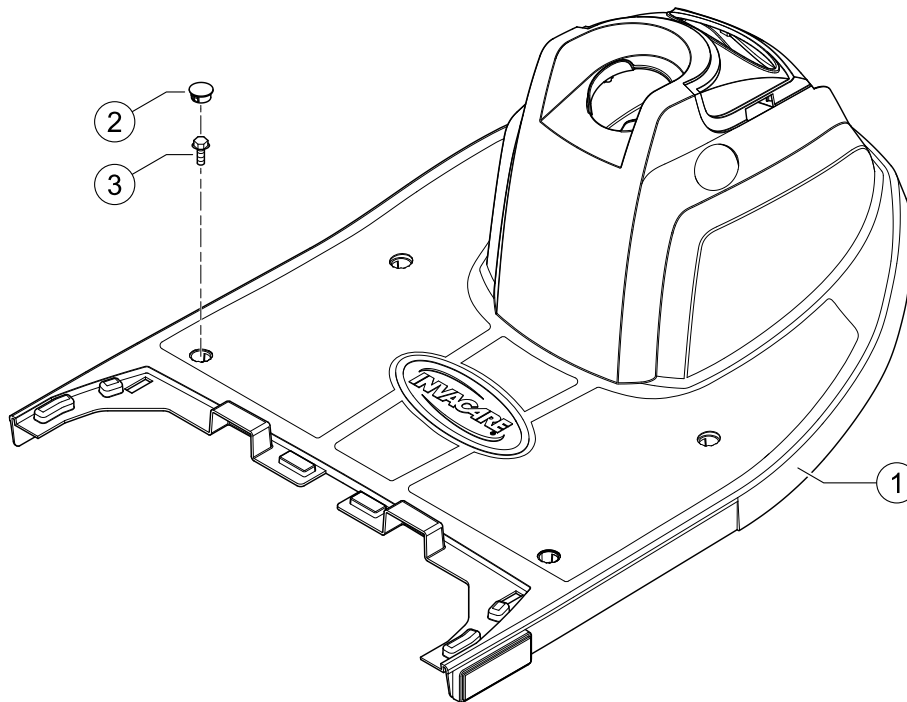
1 SP1638664

(Frame, cpl. - Pro 3-Wheel)

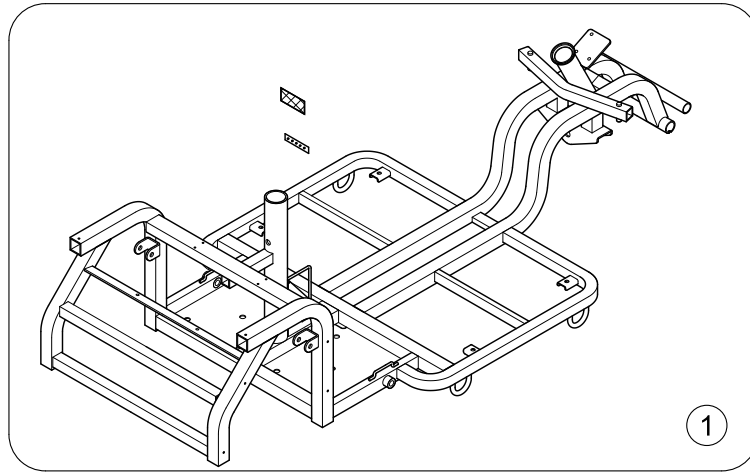
1

(Front Shroud 3-Wheel - Pro)

1638857.iso



| | | | |
|---|-----------|------------------------------|---|
| 1 | SP1638852 | (Front Shroud - Pro 3-Wheel) | 1 |
| 2 | SP1521585 | DEKKBRIKKEORION PRO | 1 |
| 3 | 1505481 | BOLT SETERAMMEORION PRO | 4 |



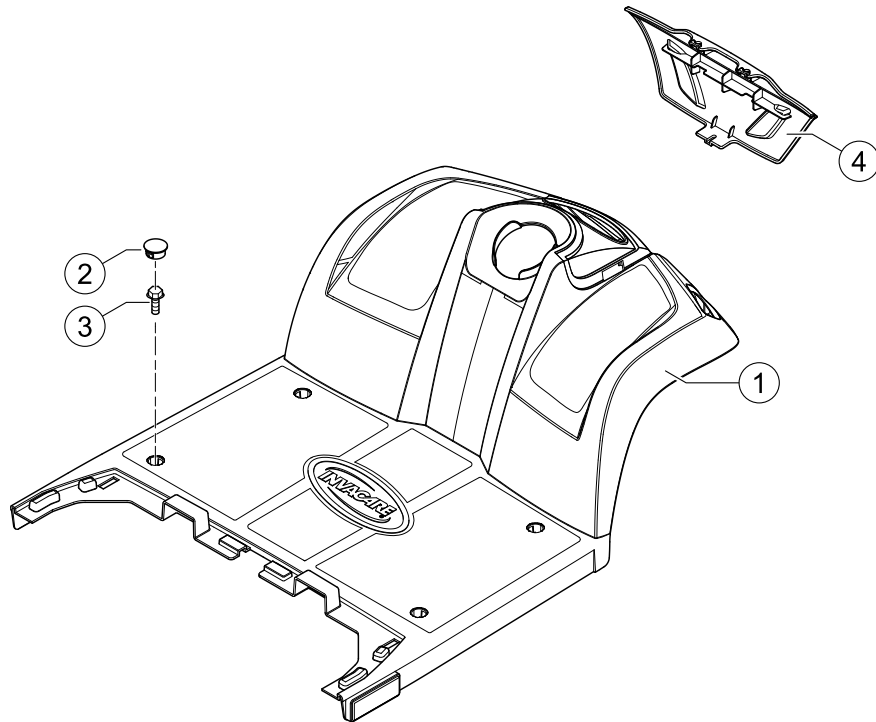
1 SP1638665

(Frame, cpl. - Metro 4-Wheel)

1

(Front Shroud 4-Wheel - Metro)

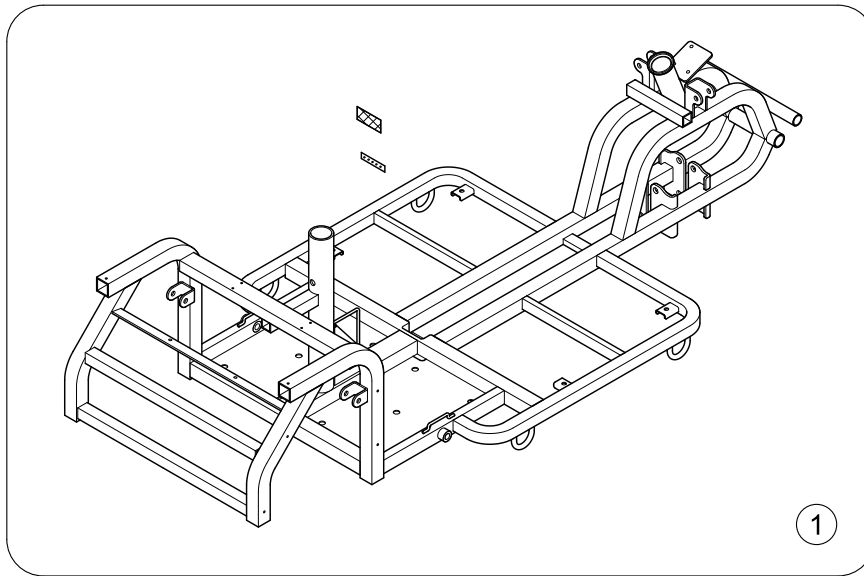
1638959 iso



| | | | |
|---|-----------|----------------------------|---|
| 1 | SP1638853 | DEKSEL STØTFANGERORION PRO | 1 |
| 2 | SP1521585 | DEKKBRIKKEORION PRO | 1 |
| 3 | 1505481 | BOLT SETERAMMEORION PRO | 4 |
| 4 | SP1642047 | DEKSEL STØTFANGERORION PRO | 1 |

Invacare® Orion (Pegasus) METRO/PRO|(Chassis, Shrouds & Lights)
(Front Frame 4-Wheel - Pro)

1638626 iso



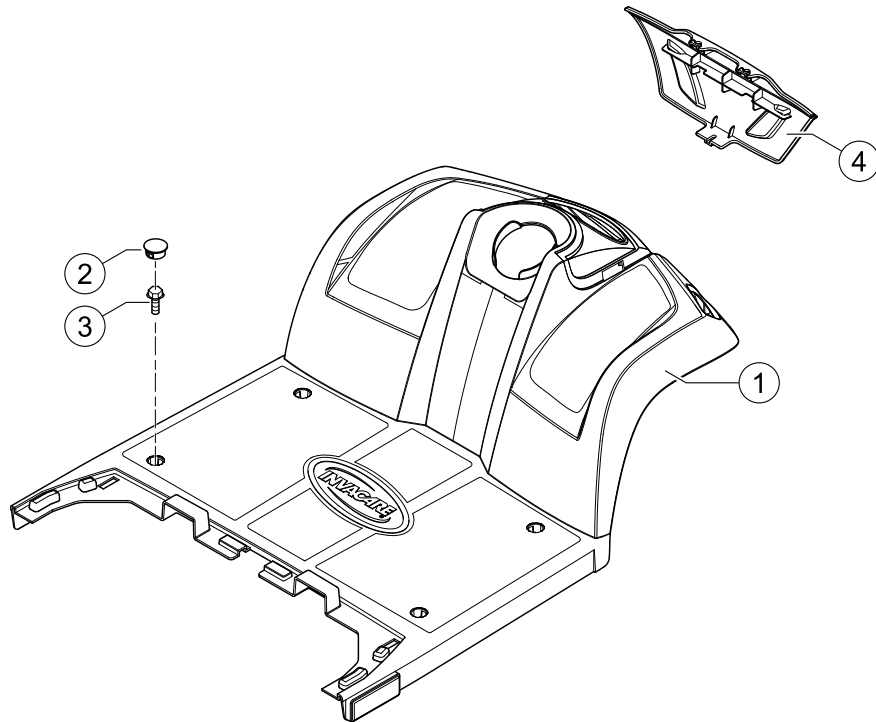
1 SP1638666

RAMME KPLORION PRO

1

(Front Shroud 4-Wheel - Pro)

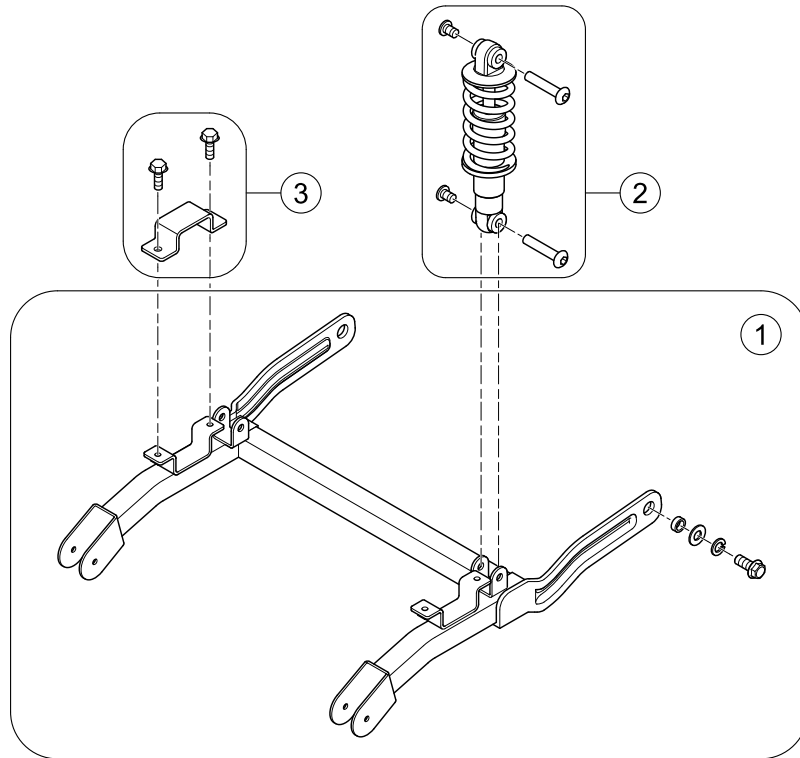
1638959 iso



| | | | |
|---|-----------|----------------------------|---|
| 1 | SP1638854 | DEKSEL FORANORION PRO | 1 |
| 2 | SP1521585 | DEKKBRIKKEORION PRO | 1 |
| 3 | 1505481 | BOLT SETERAMMEORION PRO | 4 |
| 4 | SP1642047 | DEKSEL STØTFANGERORION PRO | 1 |

Invacare® Orion (Pegasus) METRO/PRO|(Chassis, Shrouds & Lights)
(Rear Frame / Motor Swing)

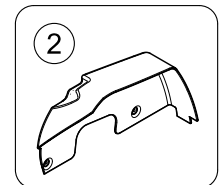
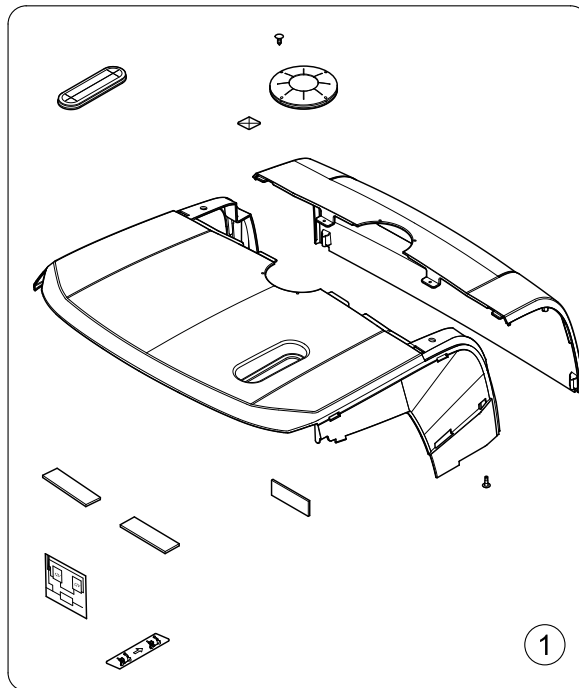
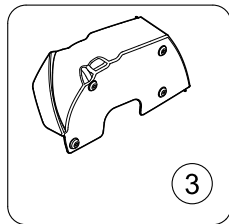
1638927.iso



| | | | |
|---|-----------|---|---|
| 1 | SP1638668 | Bakaxel swingOrion Pro 4W | 1 |
| 2 | SP1638669 | STØTDEMPERORION PRO | 1 |
| 3 | SP1571587 | (Transaxle Clamps (cpl. kit) - 6 & 10 km/h) | 1 |

(Rear Shroud)

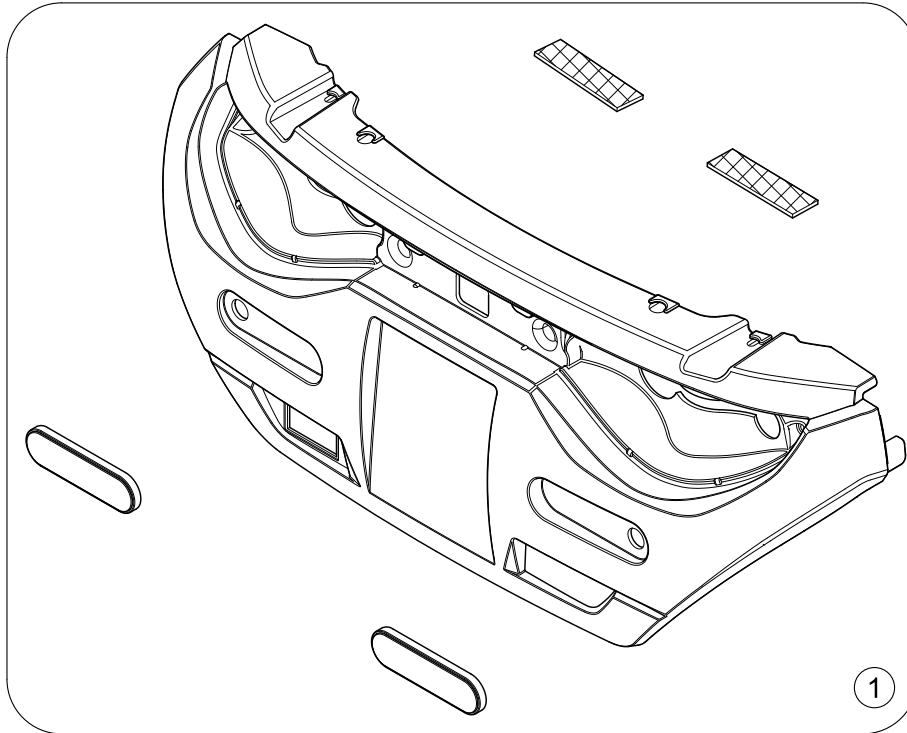
1638955 iso



| | | | |
|---|-----------|--|---|
| 1 | SP1638971 | (Rear Shroud, cpl. - Metro (w/o model labels)) | 1 |
| 1 | SP1638972 | DEKSEL BAKORION PRO | 1 |
| - | SP1637867 | (Label Kit - Metro) | 1 |
| - | SP1637868 | DAKALERORION PRO | 1 |
| 2 | SP1638844 | SKJERM HØRORION PRO | 1 |
| 3 | SP1638845 | SKJERM VEORION PRO | 1 |

Invacare® Orion (Pegasus) METRO/PRO|(Chassis, Shrouds & Lights)
(Rear bumper shroud)

1638954 iso

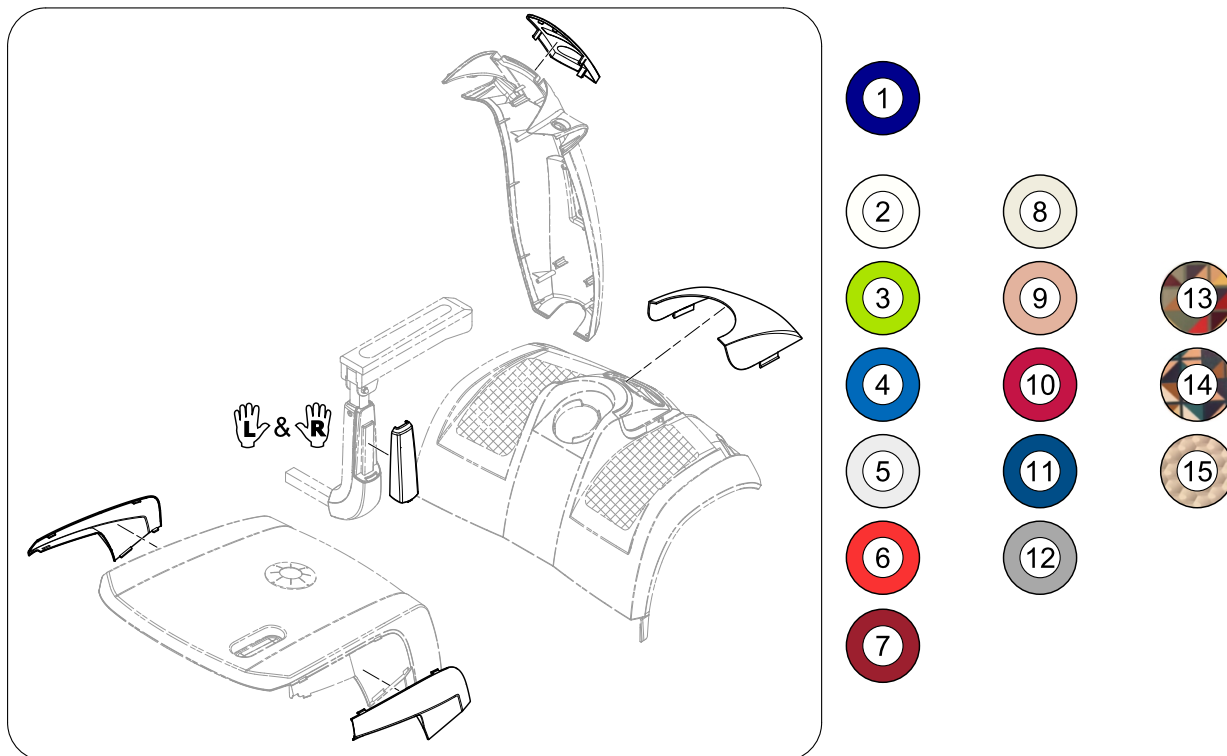


1 SP1638670

DEKSEL STØTF BAKORION PRO

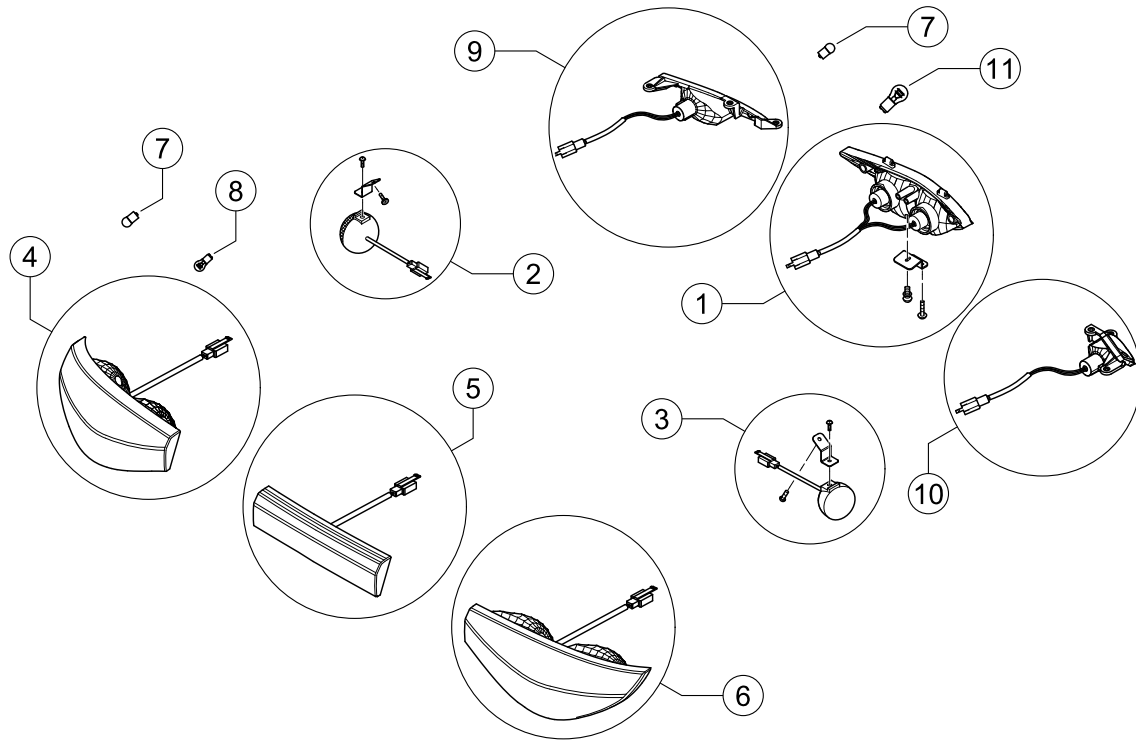
1

(Colour Panels (6 pieces))



| | | | |
|----|-----------|--|---|
| 1 | SP1604096 | DEKSEL KIT BLÅCOMET ALPINE+ <i>Replaces SP1608823</i> | 1 |
| 2 | SP1608821 | DEKSEL SETT HVIT COMET ULTRA | 1 |
| 3 | SP1608822 | DEKSEL SETT GRØNN COMET ULTRA ORION | 1 |
| 4 | - | (Color panels - Sapphire Blue no longer available - please choose Alium Blue.) <i>Replaced by SP1604096</i> | 1 |
| 5 | SP1608831 | DEKSEL SETT SØLV ORION PRO | 1 |
| 6 | - | (Color panels - Jasper Red no longer available - please choose Garnet Red.) <i>Replaced by SP1654684</i> | 1 |
| 7 | SP1654684 | Color Panels Garnet redCOMET ALPINE+ | 1 |
| 8 | SP1637415 | DEKSEL SETT CHAMPAGNE COMET ULTRA ORION | 1 |
| 9 | SP1637416 | DEKSEL SETT KOBBER FARGE COMET ULTRA ORION | 1 |
| 10 | SP1637417 | DEKSEL SETT RED CARMINE COMET ULTRA ORION | 1 |
| 11 | SP1637418 | DEKSEL SETT ELECTR BLUE COMET ALPINE+ | 1 |
| 12 | SP1637419 | DEKSEL SETT CROME FARGE COMET ULTRA ORION | 1 |
| 13 | SP1637420 | DEKSEL SETT RØD POLYGON COMET UTRA ORION | 1 |
| 14 | SP1637421 | DEKSEL SETT BLÅ POLYGON COMET ULTRA ORION | 1 |
| 15 | SP1637422 | DEKSEL SETT HVIT POLYGON COMET UTRA ORION | 1 |

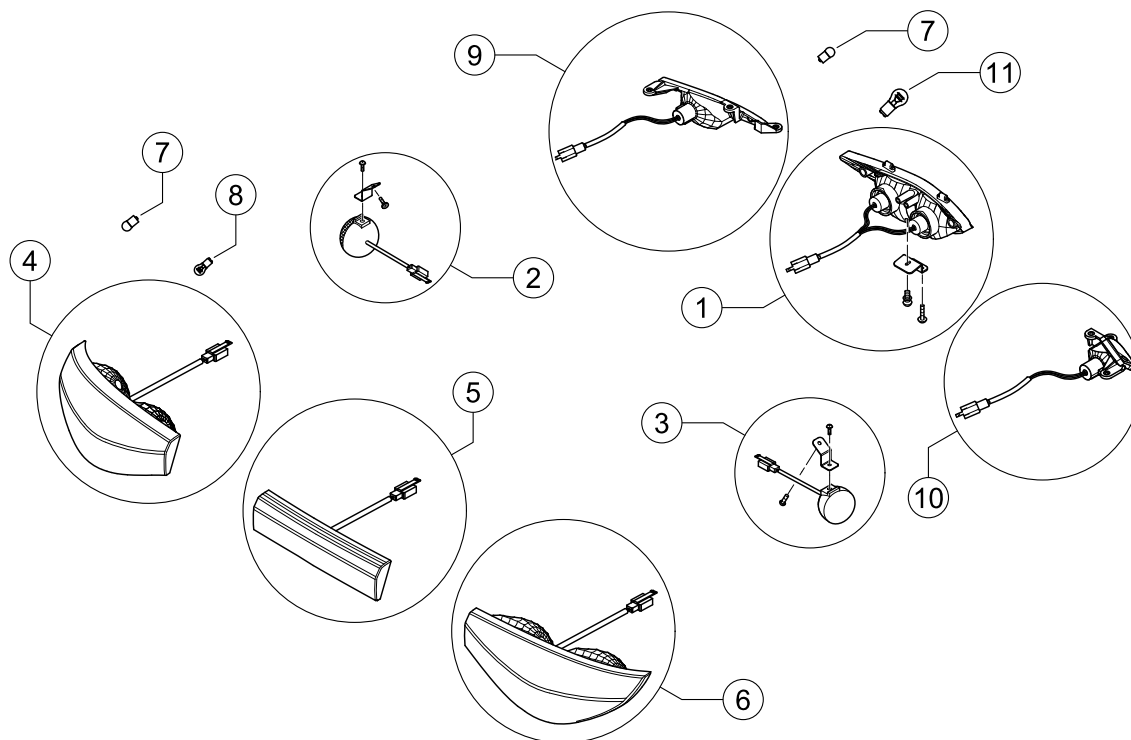
1637123.iso



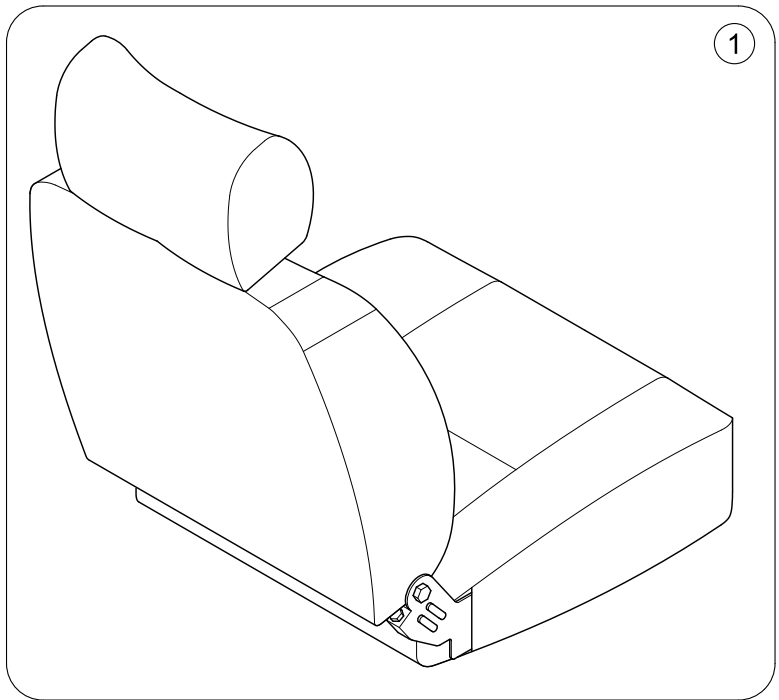
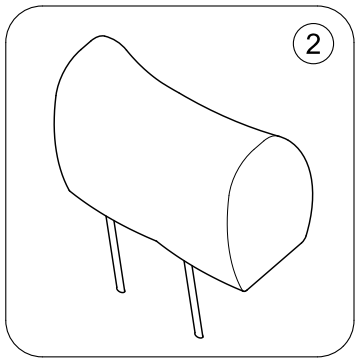
| | | | |
|----|-----------|-------------------------------------|---|
| 1 | SP1527473 | HOVEDLYKT KPL COMET | 1 |
| 2 | SP1638865 | (Turn signal 3-Wheel, cpl. - left) | 1 |
| 3 | SP1638866 | (Turn signal 3-Wheel, cpl. - right) | 1 |
| 4 | SP1518034 | RETNINGSLYS VE BAK COMET | 1 |
| 5 | SP1518035 | BREMSELYS KPL COMET | 1 |
| 6 | SP1518033 | RETNINGSLYS HØ BAK COMET | 1 |
| 7 | SP1522030 | LYSPÆRE 24V 12W COMET BLINKLYS | 4 |
| 8 | SP1522034 | LYSPÆRE 24V 5W COMET BAK | 1 |
| 9 | SP1517733 | RETNINGSLYS VE COMET 4W | 1 |
| 10 | SP1517734 | RETNINGSLYSHØ COMET 4W | 1 |
| 11 | SP1527474 | LYSPÆRE 12V 15W COMET | 2 |

(Light System)

1639740.00

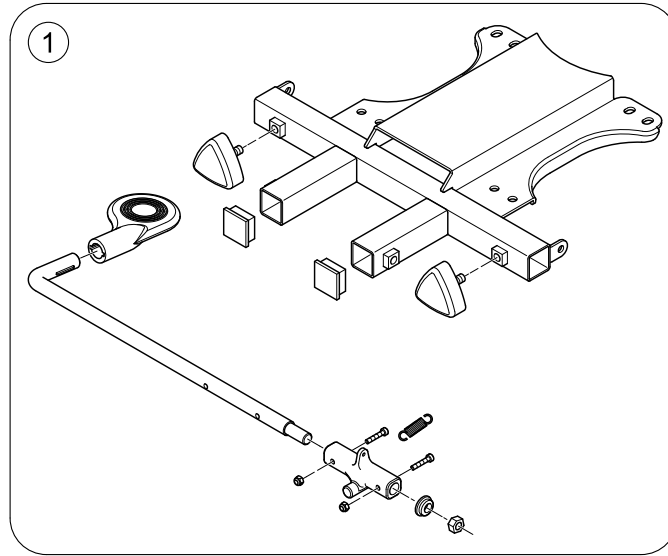


| | | | |
|----|-----------|--|---|
| 1 | SP1527473 | HOVEDLYKT KPL COMET | 1 |
| 2 | SP1638865 | (Turn signal 3-Wheel, cpl. - left) | 1 |
| 3 | SP1638866 | (Turn signal 3-Wheel, cpl. - right) | 1 |
| | SP1662357 | (Turn Signals 3-Wheel, cpl. - Pair) <i>Pos 2 & 3</i> | 1 |
| 4 | SP1518034 | RETNINGSLYS VE BAK COMET | 1 |
| 5 | SP1518035 | BREMSELYS KPL COMET | 1 |
| 6 | SP1518033 | RETNINGSLYS HØ BAK COMET | 1 |
| | SP1662356 | (Rear Lights incl. Turn Signal, cpl. - Pair) <i>Pos 4 & 6</i> | 1 |
| 7 | SP1522030 | LYSPÆRE 24V 12W COMET BLINKLYS | 4 |
| 8 | SP1522034 | LYSPÆRE 24V 5W COMET BAK | 1 |
| 9 | SP1517733 | RETNINGSLYS VE COMET 4W | 1 |
| 10 | SP1517734 | RETNINGSLYSHØ COMET 4W | 1 |
| 11 | SP1527474 | LYSPÆRE 12V 15W COMET | 2 |



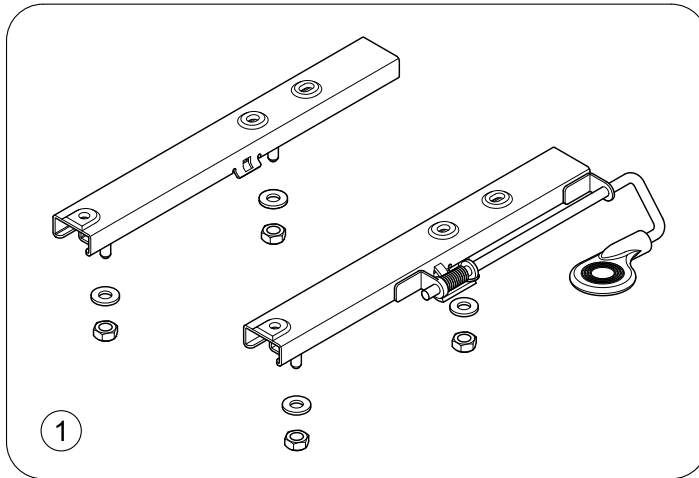
| | | | |
|---|-----------|---|---|
| 1 | SP1608540 | SETE COMFORT SB50 ORION PRO 4W COMET | 1 |
| 1 | SP1586116 | SETE COMET STD HVIT SØM COMET ALPINE+ <i>Deluxe Seat (DE = Komfort Sitz)</i> | 1 |
| 1 | SP1608556 | SETE 20PREMIUM | 1 |
| 1 | SP1652116 | Sete 20" Deluxe LowComet Alpine+/Orion Pro | 1 |
| 2 | SP1529380 | HODESTØTTE COMET | 1 |
| 2 | SP1642145 | Kopfstütze Premium Sitz | 1 |

(Seat Bracket)



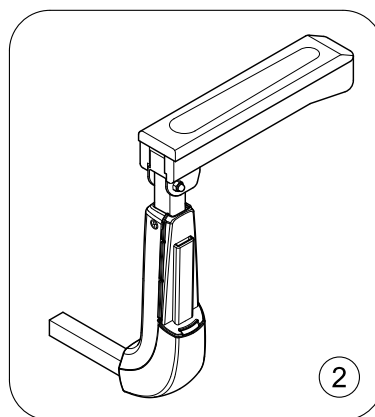
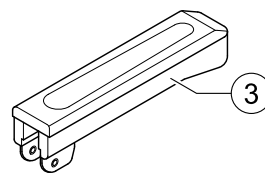
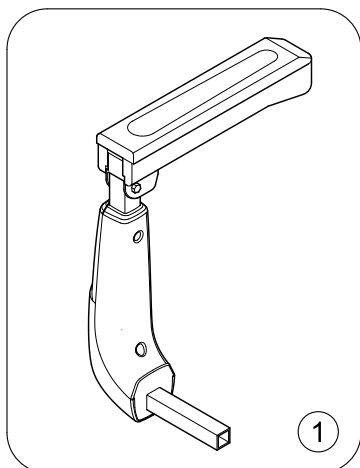
1637085.iso

| | | | |
|---|-----------|--|---|
| 1 | SP1636855 | BRAKETT UNDER SETE COMET ALPINE+ | 1 |
| 1 | SP1636856 | BRAKETT UNDER SETEBARE COMET ALPINE+/ULTRA <i>Comet ALPINE+ / ULTRA only!</i> | 1 |



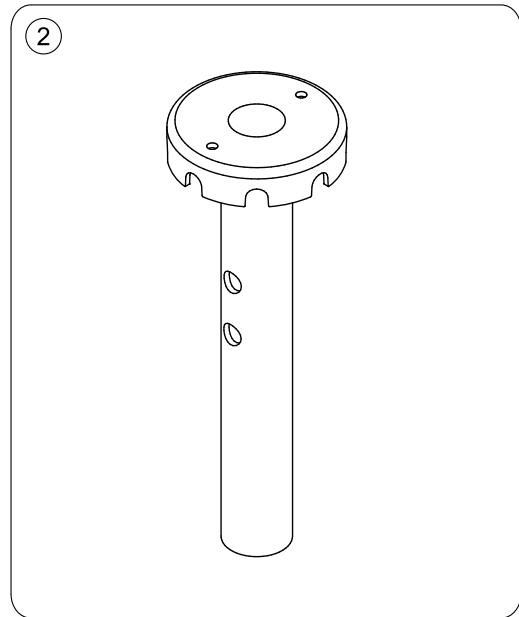
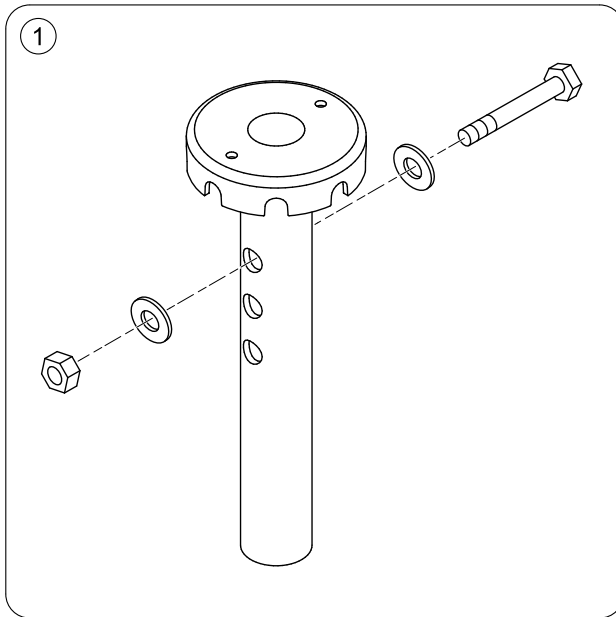
| | | | |
|---|-----------|--|---|
| 1 | SP1521690 | GLIDER COMET | 1 |
| 1 | SP1645013 | (Slide Assembly - OrionPRO 3W (user weight > 127kg)) | 1 |

(Armrests)



1637396.iso

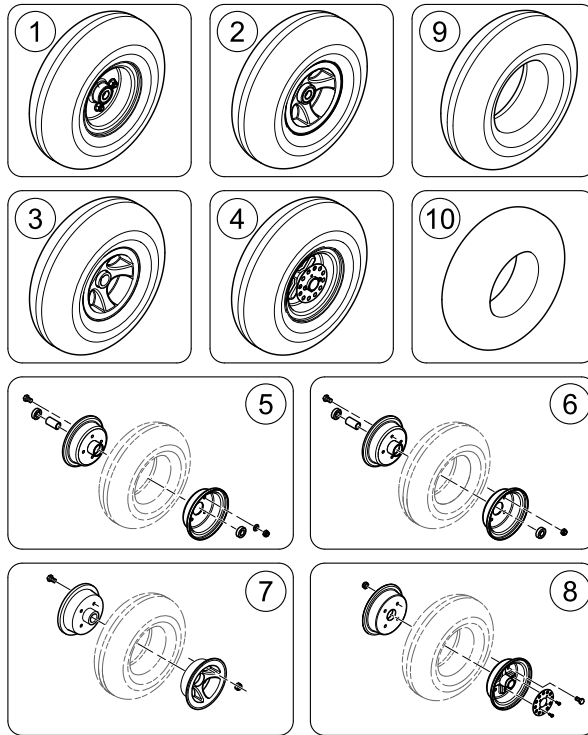
| | | | |
|---|-----------|---|---|
| 1 | 1676255 | (Armrest HD, Cpl.- LH, design 2022) <i>New design 2022</i> | 1 |
| 2 | 1676256 | (Armrest HD, Cpl.-RH, design 2022) <i>New design 2022</i> | 1 |
| 1 | SP1636858 | ARMLÉN VENSTRE COMET ALPINE+ | 1 |
| 2 | SP1636857 | ARMLÉN HØYRECOMET ALPINE+ | 1 |
| 3 | 1509683 | Armlen øvre delCOMET ULTRA | 2 |



| | | | |
|---|-----------|----------------------------------|---|
| 1 | SP1521691 | SETEBRAKETT M ARMLENSFESTE COMET | 1 |
| 2 | SP1663883 | (Seat post, 2 hole) | 1 |

(Wheels - 5" rim)

1639052.iso



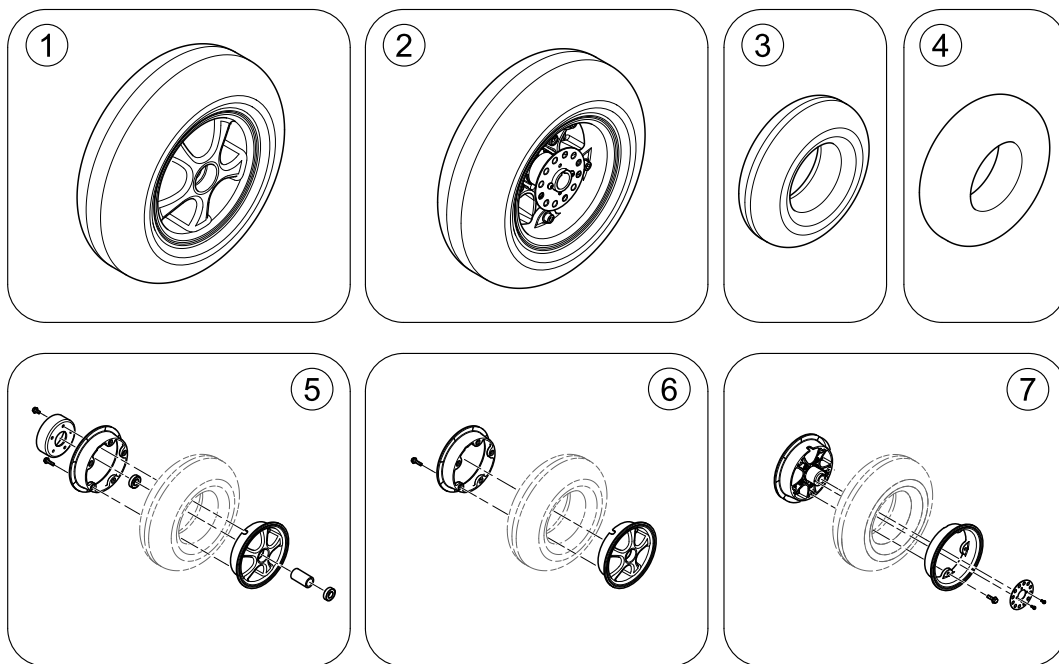
| | | | |
|---|---|--------------|---|
| - | (Please be aware of the comments!) | | 1 |
| 1 | SP1586108 (Front Wheel 11", pneumatic, 5" rim, black tyre - 3-Wheel) <i>Metro</i> | | 1 |
| 1 | SP1608680 (Front Wheel 11.5", puncture proof, 5" rim, black tyre - 3-Wheel) <i>Metro</i> | | 1 |
| 1 | SP1608588 (Front Wheel 12", pneumatic, 5" rim, black tyre - 3-Wheel) <i>Pro</i> | | 1 |
| 1 | SP1608682 (Front Wheel 12", puncture proof, 5" rim, black tyre - 3-Wheel) <i>Pro</i> | | 1 |
| 2 | SP1654164 Hjul foran, luftOrion Pro <i>Metro - New design! Replaces SP1586111</i> | 10.10.2019 → | 1 |
| 2 | SP1608681 HJUL KOMPAKT FORANORION PRO <i>Metro - Design change! Replacement: SP1654244</i> | → 09.10.2019 | 1 |
| 2 | SP1654244 (Front Wheel 11,5", puncture proof, 5" rim, black tyre - 4-Wheel (new design)) <i>Metro - New design! Replaces: SP1608681</i> | 10.10.2019 → | 1 |
| 2 | SP1608593 HJUL FORAN LUFT SORT KPL ORION PRO 4W <i>Pro - Design change - Replacement: SP1654266</i> | → 09.10.2019 | 1 |
| 2 | SP1654266 HJUL FORAN LUFT NYORION PRO 4W <i>Pro - New design! Replaces: SP1608593</i> | 10.10.2019 → | 1 |
| 2 | SP1654267 HJUL FORAN KOMPAKT NYORION PRO 4W <i>Pro - New design! Replaces SP1608683</i> | 10.10.2019 → | 1 |
| 3 | SP1654166 (Rear Wheel 11", pneumatic, 5" rim, black tyre (new design)) <i>Metro - New design! Replaces: SP1586112</i> | 10.10.2019 → | 1 |
| 3 | SP1654269 (Rear Wheel 11,5", puncture proof, 5" rim (new design)) <i>Pro - New design! Replaces SP1608697</i> | 10.10.2019 → | 1 |
| 3 | SP1637428 HJUL BAK HØ LUFT SORT ORION PRO 4W <i>Pro - Design change - Replacement: SP1654270</i> | → 09.10.2019 | 1 |
| 3 | SP1654270 (Rear Wheel 12", pneumatic, 5" rim, RH (new design)) <i>Pro - New design! Replaces SP1637428</i> | 10.10.2019 → | 1 |
| 3 | SP1637430 HJUL BAK HØ KOMPAKT ORION PRO 4W <i>Pro - Design change! Replacement: SP1654271</i> | → 09.10.2019 | 1 |
| 3 | SP1654271 HJUL BAK HØ KOMPAKTORION PRO 4W <i>Pro - New design! Replaces SP1637430</i> | 10.10.2019 → | 1 |
| 4 | SP1608674 HJUL BAK VE LUFT SORT ORION PRO 4W <i>Pro - Design Change - Replacement: SP1654272</i> | → 09.10.2019 | 1 |

(Wheels - 5" rim)

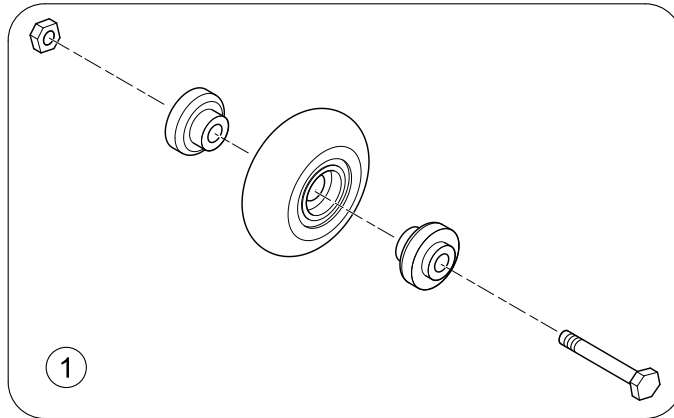
| | | | | |
|----|-----------|---|--------------|---|
| 4 | SP1654272 | BAKHJUL ORION PRO LUFTORION POR <i>Pro - New design! Replaces SP1608674</i> | 10.10.2019 → | 1 |
| 4 | SP1608773 | HJUL BAK VE KOMPAKT ORION PRO 4W <i>Pro - Design change! Replacement: SP1654322</i> | → 09.10.2019 | 1 |
| 4 | SP1654322 | HJUL BAK VE KOMPAKTORION PRO 4W <i>Pro - New design! Replaces SP1608773</i> | 10.10.2019 → | 1 |
| 5 | SP1638780 | (5" Rim Kit, Front - 3-Wheel) <i>Metro</i> | | 1 |
| 5 | SP1638862 | (5" Rim Kit, Front - 3-Wheel) <i>Pro</i> | | 1 |
| 6 | SP1638863 | FELG FORANORION PRO <i>Metro & Pro - Design change! Replacement: SP1654344</i> | → 09.10.2019 | 1 |
| 6 | SP1654344 | (5" Rim Kit, Front - 4-Wheel (new design)) <i>Metro & Pro - New design!</i> | 10.10.2019 → | 1 |
| 7 | SP1654167 | FELG BAK HØCOMET ALPINE+ <i>Metro & Pro, RH - New design! Replacing: SP1638838</i> | 10.10.2019 → | 1 |
| 8 | SP1638864 | FELG BAK VE COMET ALPINE+ <i>Pro LH - Design change! Replacement: SP1654350</i> | → 09.10.2019 | 1 |
| 8 | SP1654350 | FELG BAK COMET NYCOMET <i>Metro & Pro, LH - New design! Replacing: SP1638864</i> | 10.10.2019 → | 1 |
| 9 | SP1640416 | DEKK SORTORION PRO <i>Metro - replaces SP1586109 - Tube to be ordered separately</i> | | 1 |
| 9 | SP1586110 | DEKK KOMPACT 4.10ORION PRO <i>Metro</i> | | 1 |
| 9 | SP1640319 | DEKKORION PRO <i>Pro</i> | | 1 |
| 9 | SP1638976 | DEKK KOMPACT 12ORION PRO <i>Pro</i> | | 1 |
| 10 | SP1527606 | SLANGEORION PRO <i>Metro & Pro</i> | | 1 |

(Wheels - 6" rim)

1639051.iso



| | | | |
|---|-----------|--|---|
| 1 | SP1608776 | (Front Wheel 11", pneumatic, Low Profile, 6" rim, Orion Metro 3-Wheel) | 1 |
| 1 | SP1608794 | (Front Wheel 11", pneumatic, Low Profile, 6" rim, Orion Metro 4-Wheel) | 1 |
| 1 | SP1608799 | (Rear Wheel 11", pneumatic, Low Profile, 6" rim - Orion Metro) | 1 |
| 1 | SP1608796 | FORHJUL LAVPROFIL ORION PRO 4W | 1 |
| 1 | SP1637432 | BAKHJUL HØ LAVPROFIL ORION PRO4W | 1 |
| 2 | SP1608812 | BAKHJUL VE LAVPROFIL ORION PRO 4W | 1 |
| 3 | SP1638977 | DEKK 11ORION PRO | 1 |
| 3 | SP1638974 | DEKK 12ORION PRO | 1 |
| 4 | SP1638978 | SLANGE 11ORION PRO | 1 |
| 4 | SP1638975 | SLANGE 12ORION PRO | 1 |
| 5 | SP1638835 | (6" Rim Kit, Front - Metro 3-Wheel) | 1 |
| 5 | SP1638840 | (6" Rim Kit, Front - Metro 4-Wheel) | 1 |
| 6 | SP1638836 | (6" Rim Kit, Rear - Metro LH/RH & Pro RH) | 1 |
| 7 | SP1638861 | FELG ORION BAKORION PRO | 1 |

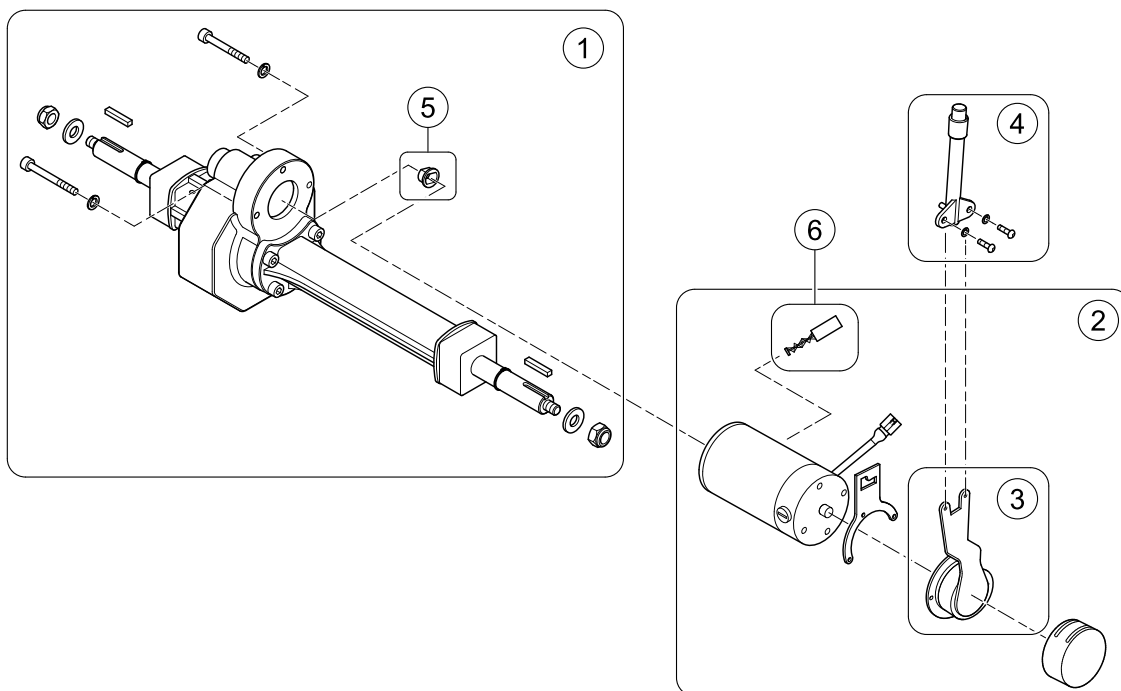


1 SP1522021

HJUL ANTI-TIPPER COMET

1

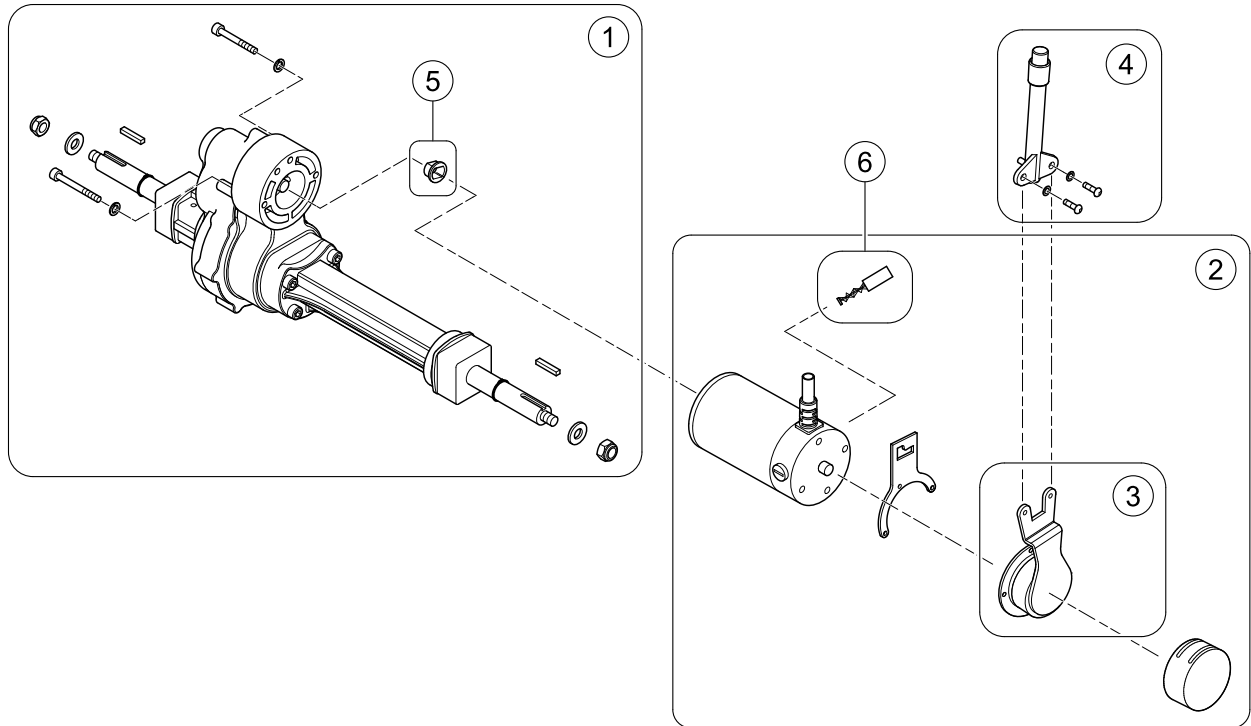
Invacare® Orion (Pegasus) METRO/PRO|(Propulsion)
(Propulsion Metro 6 & 10 km/h)



1638879.iso

| | | | |
|---|-----------|---|---|
| 1 | SP1638832 | (Differential 6 & 10 km/h - Metro) | 1 |
| 2 | SP1638789 | (Motor 6 km/h - Metro) | 1 |
| 2 | SP1638790 | (Motor 10 km/h - Metro) | 1 |
| 3 | SP1638968 | (Clutch & Brake) 6 & 10 km/h (Metro) | 1 |
| 4 | SP1505672 | FRIKOPLINGSHENDEL COMET | 1 |
| 5 | SP1571584 | STYREPINNE MOTORORION PRO | 1 |
| 6 | SP1636876 | (Carbon brush) 6 & 10 km/h (Metro) | 2 |

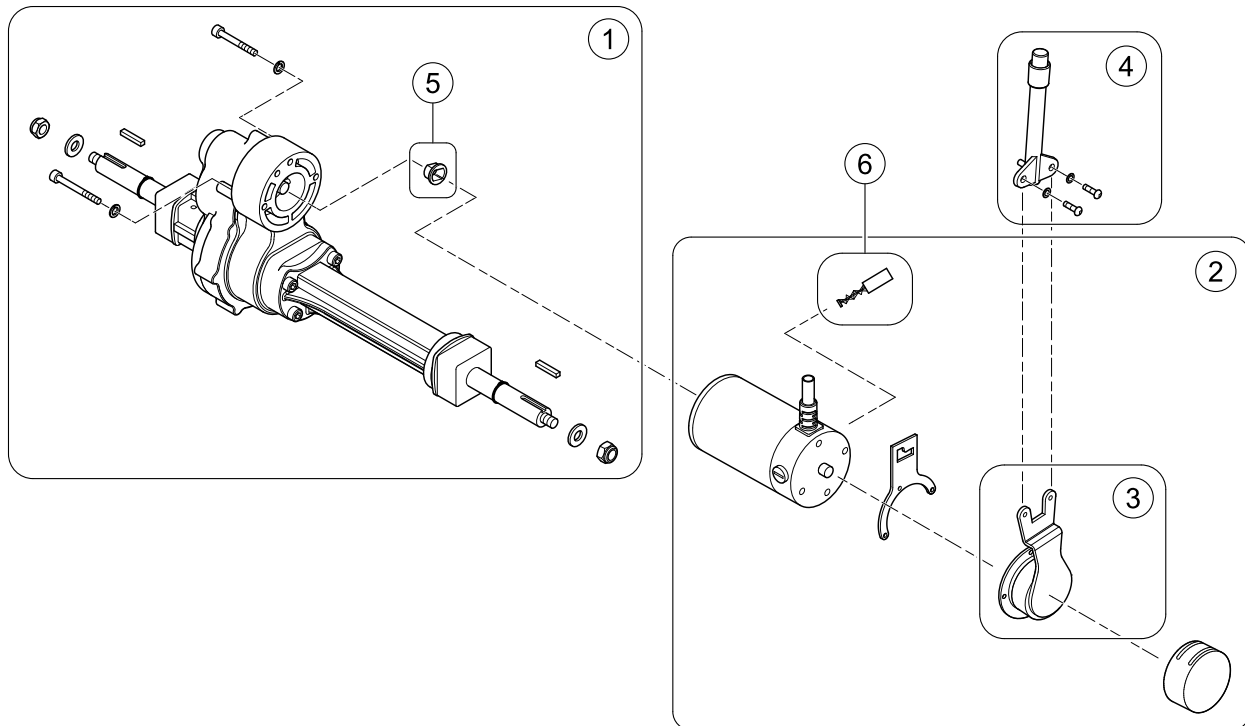
Invacare® Orion (Pegasus) METRO/PRO|(Propulsion)
(Propulsion Metro 12 km/h)



1638877.iso

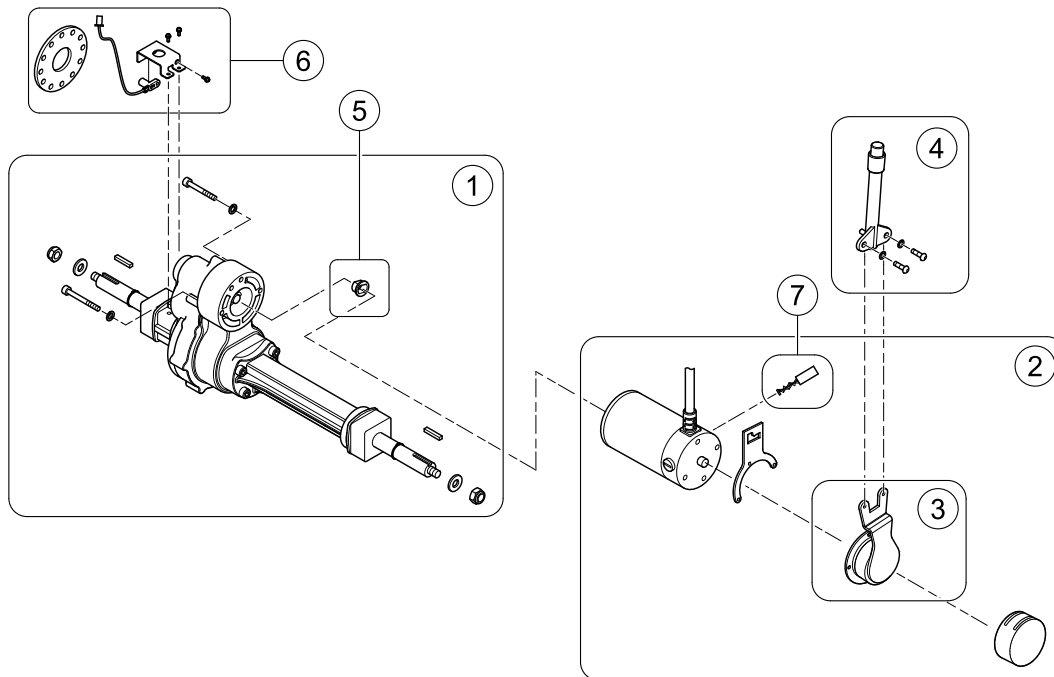
| | | | |
|---|-----------|---|---|
| 1 | SP1638833 | (Differential 12 km/h - Metro) | 1 |
| 2 | SP1638791 | (Motor 12 km/h - Metro) | 1 |
| 3 | SP1638969 | (Clutch & Brake) 12 km/h (Metro) | 1 |
| 4 | SP1505672 | FRIKOPLINGSHENDEL COMET | 1 |
| 5 | SP1571584 | STYREPINNE MOTORORION PRO | 1 |
| 6 | SP1527845 | (Carbon Brush (4 pcs)) 12 km/h (Metro) | 1 |

(Propulsion Metro 12 km/h)



1636877.iso

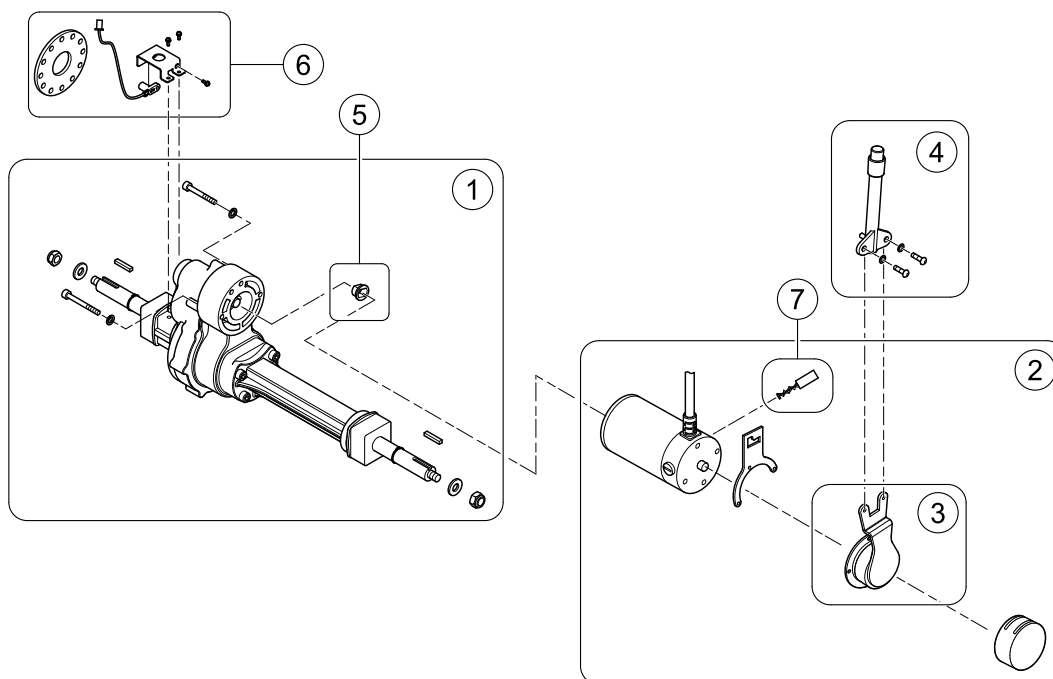
| | | | |
|---|-----------|--|---|
| | SP1662358 | (Propulsion 12km/h, Motor & Differential cpl.) <i>Pos 1 & 2</i> | 1 |
| 1 | SP1638833 | (Differential 12 km/h - Metro) | 1 |
| 2 | SP1638791 | (Motor 12 km/h - Metro) | 1 |
| 3 | SP1638969 | (Clutch & Brake) <i>12 km/h (Metro)</i> | 1 |
| 4 | SP1505672 | FRIKOPLINGSHENDEL COMET | 1 |
| 5 | SP1571584 | STYREPINNE MOTORORION PRO | 1 |
| 6 | SP1527845 | (Carbon Brush (4 pcs)) <i>12 km/h (Metro)</i> | 1 |
| 6 | SP1636877 | BØRSTORION PRO <i>12 km/h (Metro)</i> | 2 |



1638878.iso

| | | | |
|---|-----------|--|---|
| 1 | SP1638834 | DIFFERENTIALORION PRO | 1 |
| 1 | SP1645011 | (Differential 15 km/h (690mm) - Pro 3W <150kg) | 1 |
| 2 | SP1638792 | (Motor 6 km/h - Pro) | 1 |
| 2 | SP1638793 | DRIVMOTORORION PRO | 1 |
| 2 | SP1638830 | (Motor 12 km/h - Pro) | 1 |
| 2 | SP1638831 | (Motor 15 km/h (EN 12.8 km/h) - Pro) | 1 |
| 3 | SP1638970 | (Clutch & Brake) 6 km/h (Pro) | 1 |
| 3 | SP1636879 | Clutch og BremsComet, Alpine, Ultra 10 km/h (Pro) | 1 |
| 3 | SP1636891 | BREMS M CLUTCHORION PRO 12 & 15 km/h (Pro) | 1 |
| 4 | SP1505672 | FRIKOPLINGSHENDEL COMET | 1 |
| 5 | SP1571584 | STYREPINNE MOTORORION PRO | 1 |
| 6 | SP1643083 | HASTIGHETSSENSOR KITCOMET ALPINE+ replaces item SP1636874 | 1 |
| - | SP1645012 | (Sensor Holder for Differential 15 km/h Pro 3W <150kg) | 1 |
| 7 | SP1636877 | BØRSTEORION PRO 6-15 km/h (Pro) | 2 |

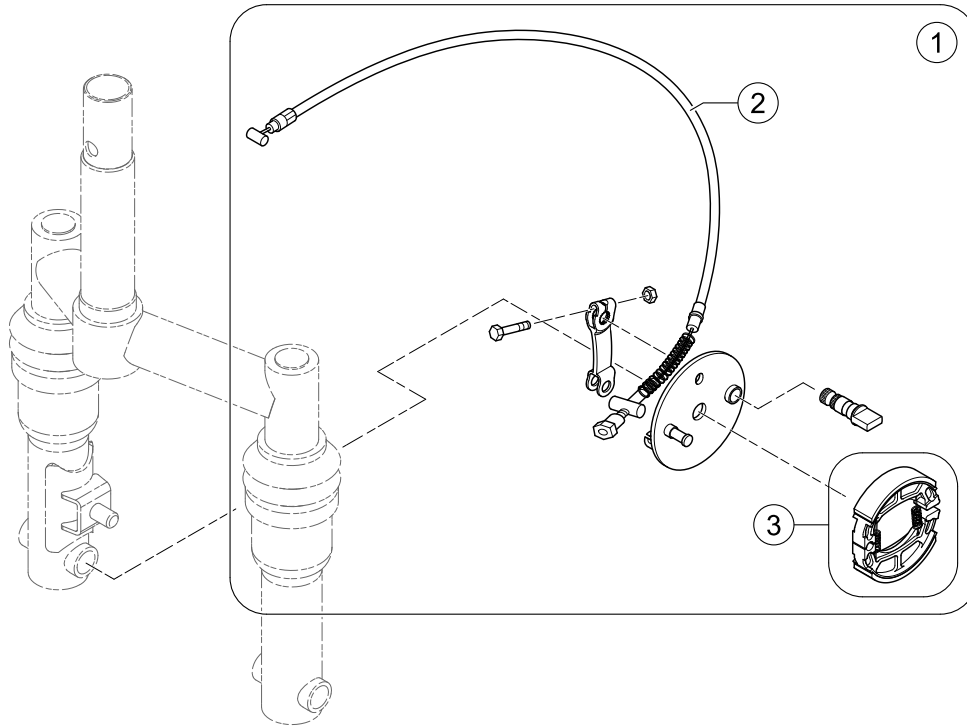
(Propulsion Pro 6-15 km/h)



1638878.iso

| | | | |
|---|-----------|--|---|
| | SP1662359 | (Propulsion 15km/h, Motor & Differential cpl.) <i>SP1638834 & SP1638831</i> | 1 |
| 1 | SP1638834 | DIFFERENSIALORION PRO | 1 |
| 1 | SP1645011 | (Differential 15 km/h (690mm) - Pro 3W <150kg) | 1 |
| 2 | SP1638792 | (Motor 6 km/h - Pro) | 1 |
| 2 | SP1638793 | DRIVMOTORORION PRO | 1 |
| 2 | SP1638830 | (Motor 12 km/h - Pro) | 1 |
| 2 | SP1638831 | (Motor 15 km/h (EN 12.8 km/h) - Pro) | 1 |
| 3 | SP1638970 | (Clutch & Brake) <i>6 km/h (Pro)</i> | 1 |
| 3 | SP1636879 | Clutch og BremsComet, Alpine, Ultra <i>10 km/h (Pro)</i> | 1 |
| 3 | SP1636891 | BREMS M CLUTCHORION PRO <i>12 & 15 km/h (Pro)</i> | 1 |
| 4 | SP1505672 | FRIKOPLINGSHENDEL COMET | 1 |
| 5 | SP1571584 | STYREPINNE MOTORORION PRO | 1 |
| 6 | SP1643083 | HASTIGHETSSENSOR KITCOMET ALPINE+ <i>replaces item SP1636874</i> | 1 |
| - | SP1645012 | (Sensor Holder for Differential 15 km/h Pro 3W <150kg) | 1 |
| 7 | SP1636877 | BØRSTEORION PRO <i>6-15 km/h (Pro)</i> | 2 |

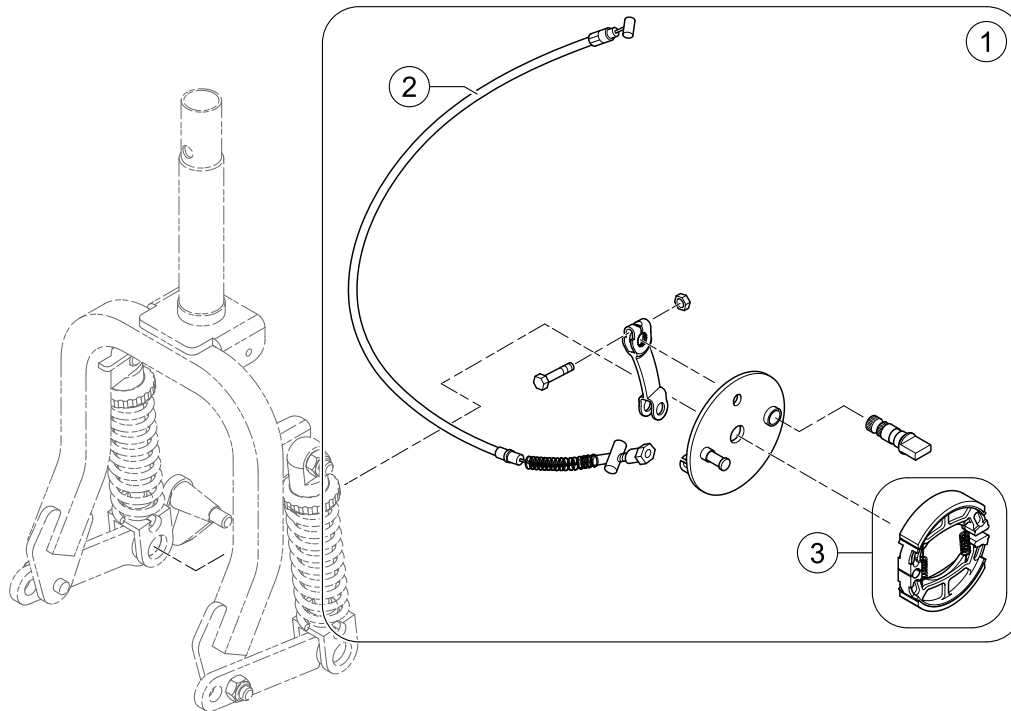
Invacare® Orion (Pegasus) METRO/PRO|(Brakes)
(Front Break 3-Wheel - Metro)



1638921.iso

| | | | |
|---|-----------|----------------------------------|---|
| 1 | 1638758 | (Brake assembly - Metro 3-Wheel) | 1 |
| 2 | 1638841 | (Cable assembly, Front brake) | 1 |
| 3 | SP1518418 | BREMSESKOCOMET ALPINE+ | 1 |

(Front Break 3-Wheel - Pro)

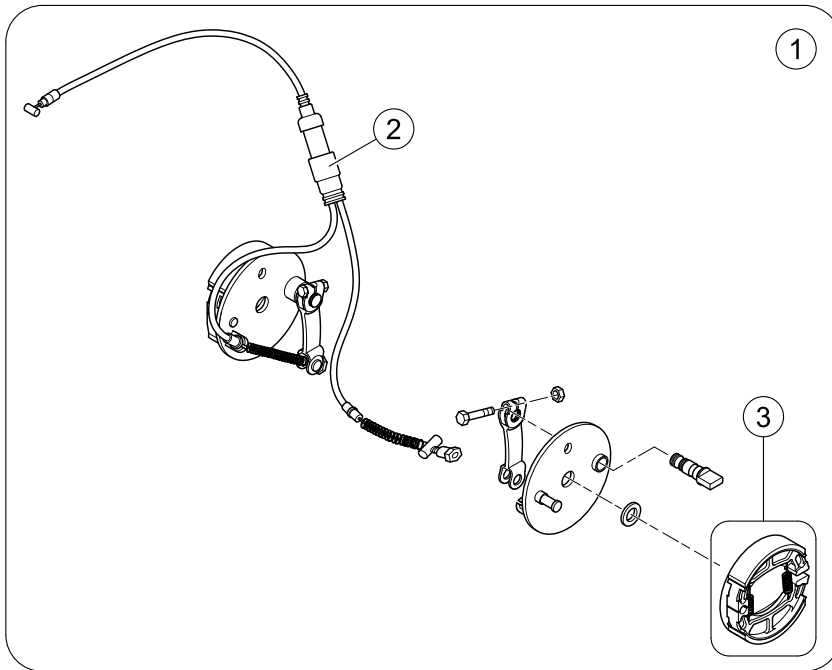


1638917.iso

| | | | |
|---|-----------|----------------------------------|---|
| 1 | SP1522025 | BREMS KPL M WIRE COMET ALPINE 3W | 1 |
| 2 | SP1518419 | BREMSEWIRE 3 HJUL COMET | 1 |
| 3 | SP1518418 | BREMSESKOCOMET ALPINE+ | 1 |

Invacare® Orion (Pegasus) METRO/PRO|(Brakes)
(Front Break 4-Wheel - Metro/Pro)

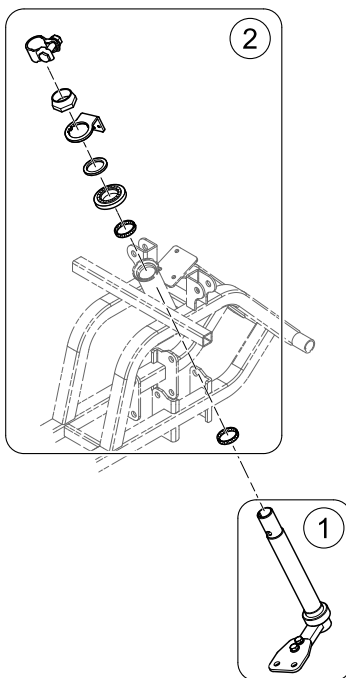
1638922 iso



| | | | |
|---|-----------|-------------------------|---|
| 1 | SP1521589 | BREMS 4 HJUL COMET | 1 |
| 2 | SP1518422 | BREMSEWIRE 4 HJUL COMET | 1 |
| 3 | SP1518418 | BREMSESKOCOMET ALPINE+ | 1 |

(Steering Head)

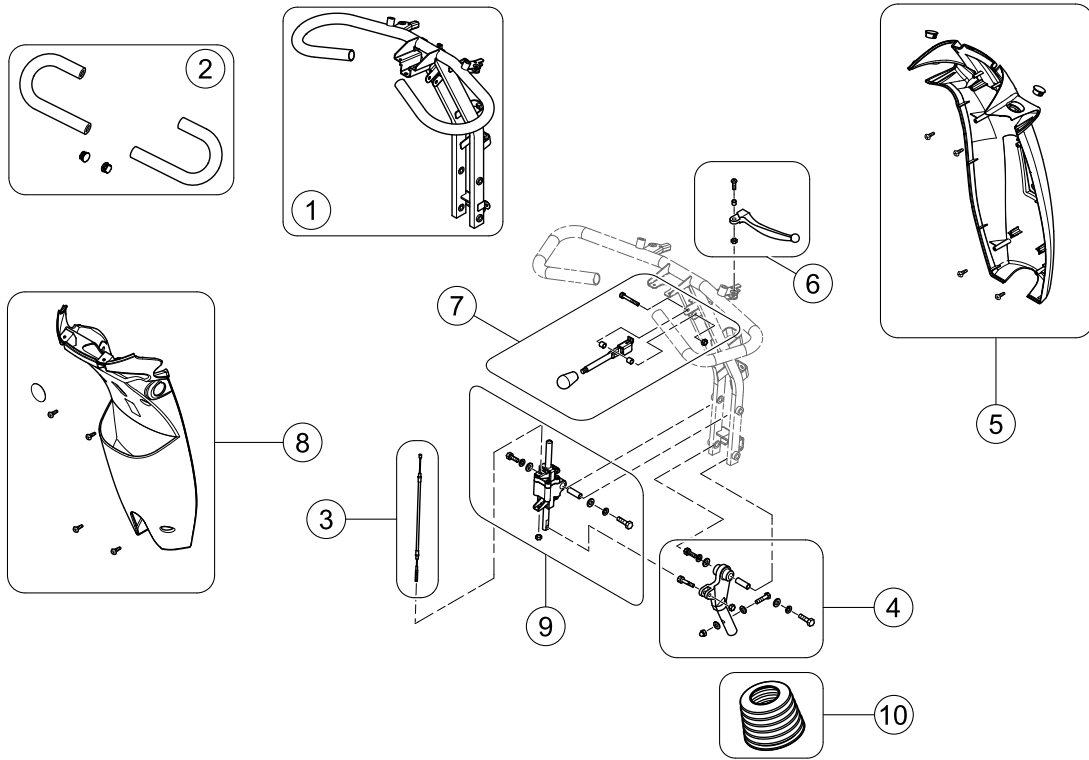
1639741.iso



| | | | |
|---|-----------|----------------------------|---|
| 1 | SP1638667 | FESTE STYRESTAMMEORION PRO | 1 |
| 2 | SP1636816 | (Bearing Kit) | 1 |

Invacare® Orion (Pegasus) METRO/PRO|(Steering)
(Steering Components)

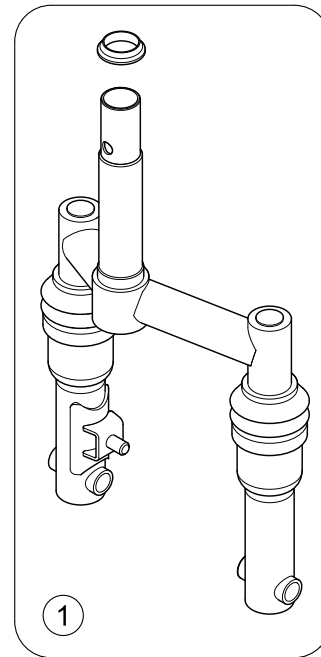
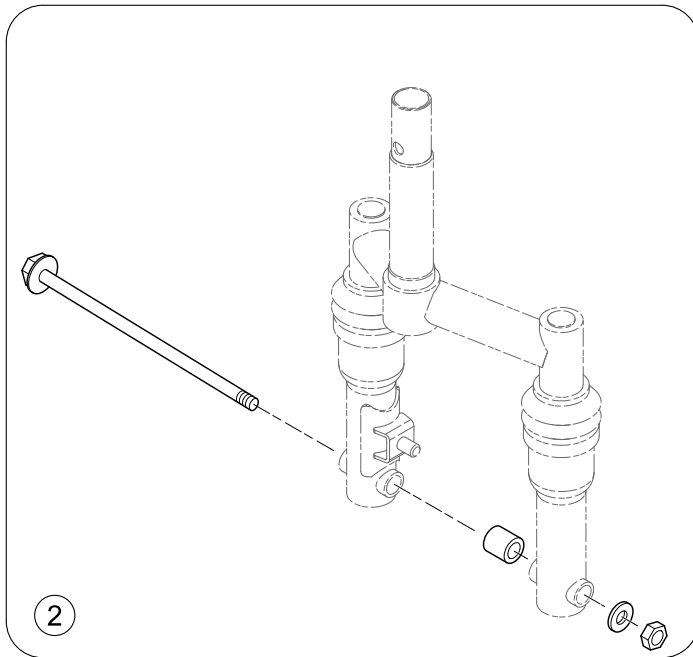
1638928.iso



| | | | |
|----|-----------|---------------------------------------|---|
| | SP1637540 | (Reflective Sticker) | 1 |
| 1 | SP1608184 | STYRESTAMMECOMET ALPINE+ | 1 |
| 2 | SP1636767 | GREPCOMET ALPINE+ | 1 |
| 3 | SP1608201 | KABEL STYRINGCOMET ALPINE+ | 1 |
| 4 | SP1636812 | STYRELEDDCOMET ALPINE+ | 1 |
| 5 | SP1608205 | DEKSEL STYRE COMET ALPINE+ | 1 |
| - | SP1638846 | (Handle cover, left) | 1 |
| 6 | SP1636804 | HENDEL BREMS HØCOMET ALPINE+ | 1 |
| 7 | SP1636813 | HENDEL REG STYRECOMET ALPINE+ | 1 |
| 8 | SP1636814 | DEKSEL RATTSTAMME BAKRE COMET ALPINE+ | 1 |
| 9 | SP1608202 | STYREJUSTERINGCOMET ALPINE+ | 1 |
| 10 | SP1521586 | GUMMI MUFFE RATTSTAMME COMET | 1 |

(Front Fork 3-Wheel - Metro)

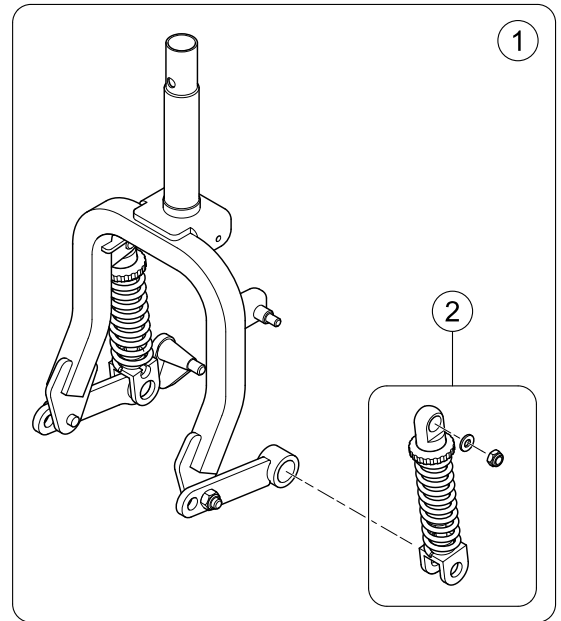
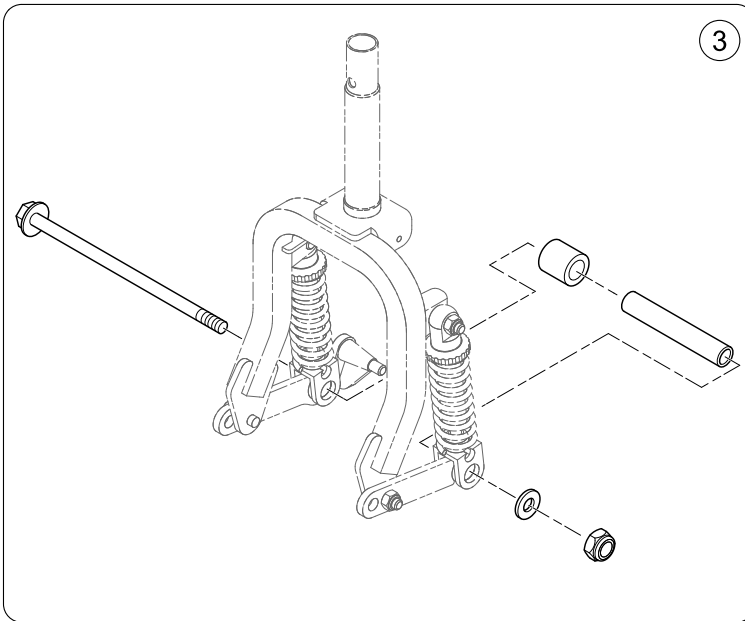
1638909 iso



| | | | |
|---|-----------|-------------------------------------|---|
| 1 | SP1638757 | (Front fork assembly, cpl. - Metro) | 1 |
| 2 | SP1638779 | (Axle, Front, Cpl.) | 1 |

Invacare® Orion (Pegasus) METRO/PRO|(Steering)
(Front Fork 3-Wheel - Pro)

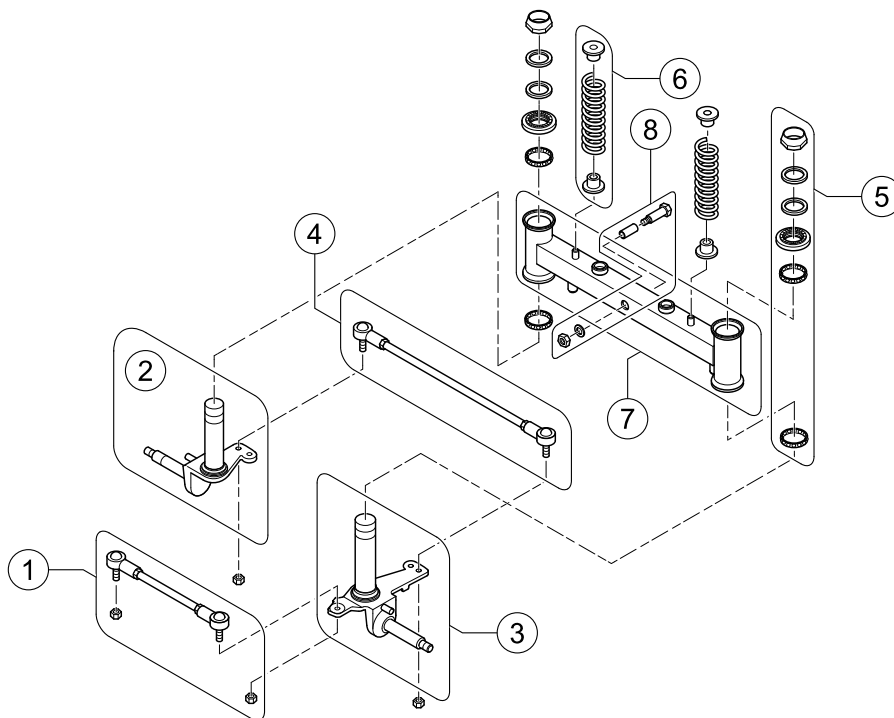
1638910 iso



| | | | |
|---|-----------|---|---|
| 1 | SP1638781 | (Front fork assembly, cpl. - Pro 3-Wheel) | 1 |
| 2 | SP1638759 | (Shock absorber, cpl. - Pro 3-Wheel) | 1 |
| 3 | SP1638778 | (Front Axle, cpl. - Pro 3-Wheel) | 1 |

Invacare® Orion (Pegasus) METRO/PRO|(Steering)
(Front Suspension 4-Wheel - Metro)

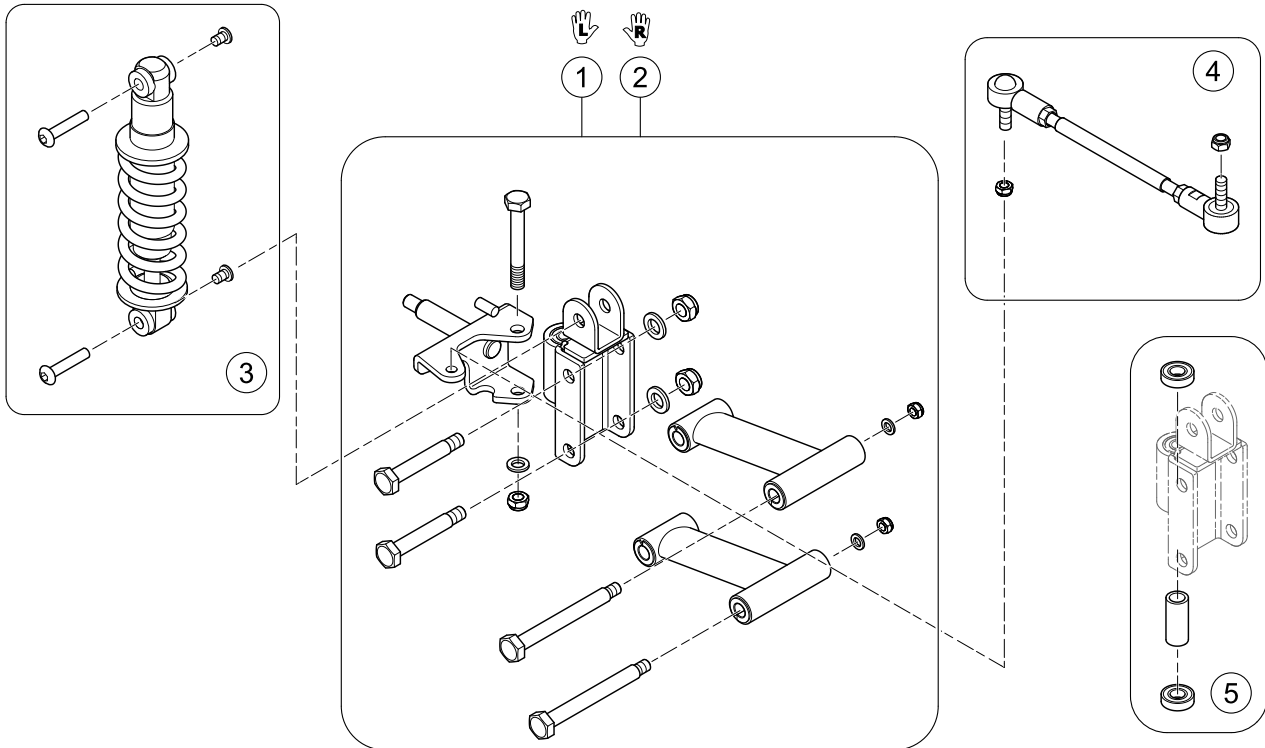
1638919 Iso



| | | | |
|---|-----------|---------------------------|---|
| 1 | SP1533205 | (Rear Rod Assembly) | 1 |
| 2 | SP1518237 | (Front Axle LH) | 1 |
| 3 | SP1518238 | (Front Axle RH) | 1 |
| 4 | SP1518077 | FRONT STAG KIT COMET | 1 |
| 5 | SP1505487 | (Bearing Kit) | 1 |
| 6 | SP1518196 | (Spring, Front Wheel) | 1 |
| 7 | SP1518076 | (Swing holder, front) | 1 |
| 8 | SP1563328 | (Mounting Kit, Swing Arm) | 1 |

Invacare® Orion (Pegasus) METRO/PRO|(Steering)
(Front Suspension 4-Wheel - Pro)

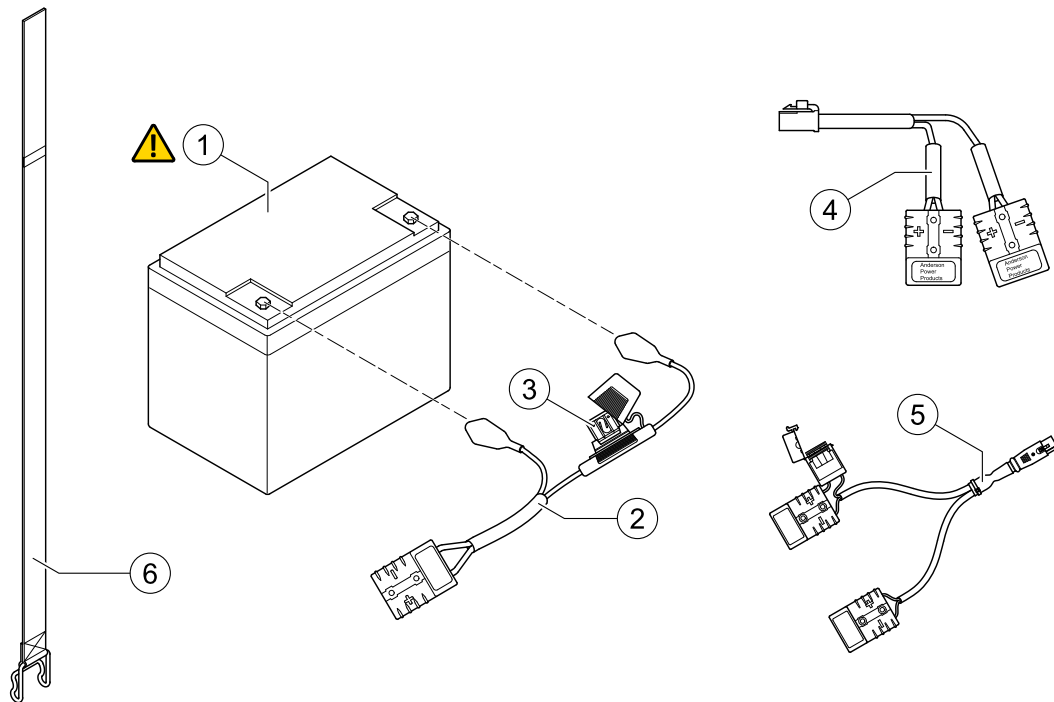
1638920 iso



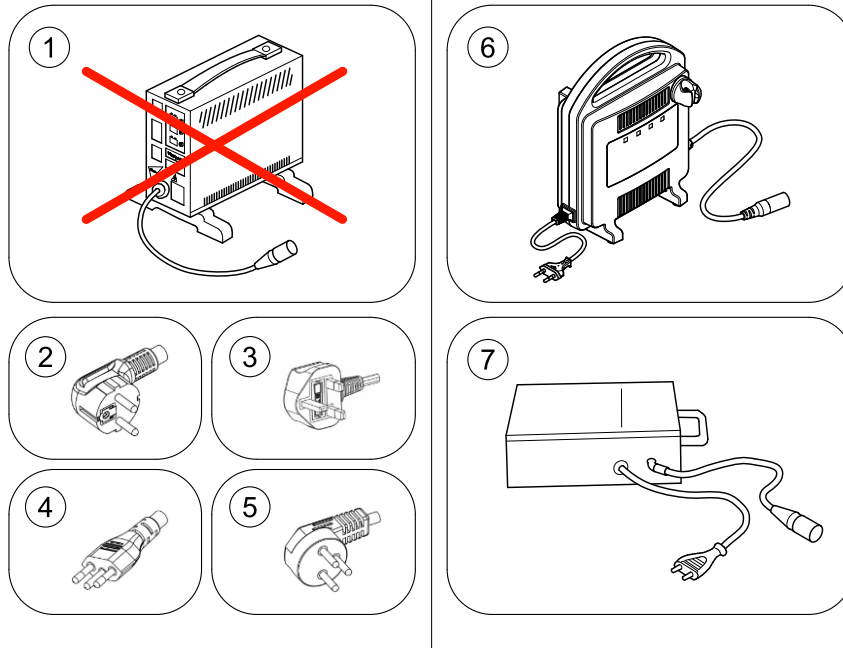
| | | | |
|---|-----------|---------------------------|---|
| 1 | SP1638787 | AKSLING FORAN VEORION PRO | 1 |
| 2 | SP1638782 | AKSLING FORAN HØORION PRO | 1 |
| 3 | SP1638788 | STØTDEMPER FORANORION PRO | 1 |
| 4 | SP1636872 | FRONT STAGCOMET ALPINE+ | 1 |
| 5 | SP1636859 | LAGERKIT COMET ALPINE+ | 1 |

Invacare® Orion (Pegasus) METRO/PRO|(Batteries, Cables & Charger)
(Batteries & Cables)

1640515 iso



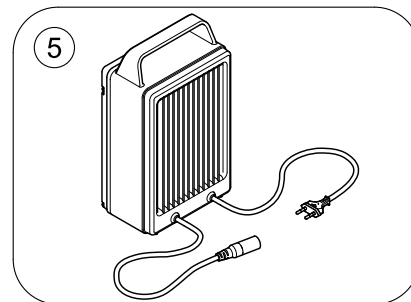
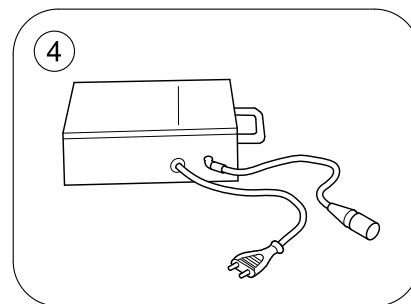
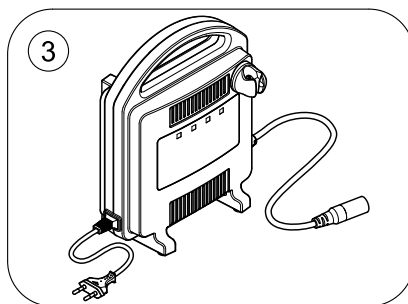
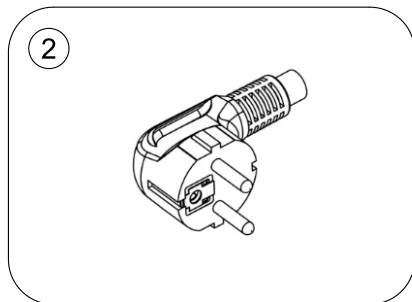
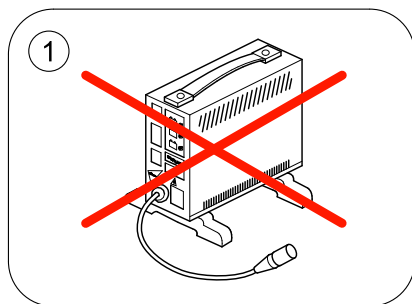
| | | | |
|---|-----------|--|---|
| ! | - | (Important advice! Replace batteries in pairs. Never mix: manufactures, date codes or technologies (Gel with AGM batteries)) | 0 |
| 1 | SP1521695 | BATTERI 50AH AGM ORION | 2 |
| 1 | SP1522026 | BATTERI AGM 73.5COMET ALPINE+ | 2 |
| 2 | SP1636819 | (Fuse battery cable (70A)) | 1 |
| 3 | SP1636823 | (Fuse 70A) | 1 |
| 4 | SP1608209 | (Wire, Battery Output - Orion PRO / METRO) | 1 |
| 5 | SP1641608 | (Off board charging cable V0) | 1 |
| 6 | SP1521758 | BATTERISTROPP COMET | 1 |



1640673.iso

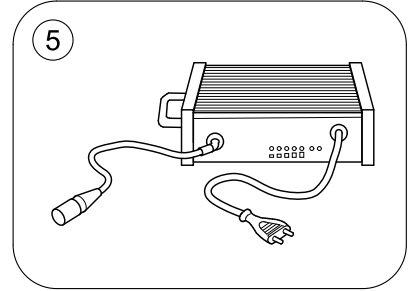
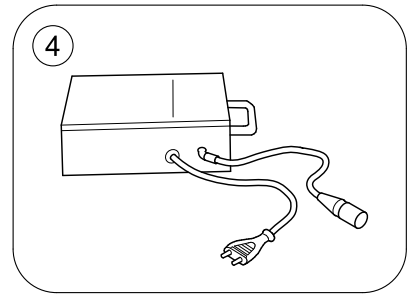
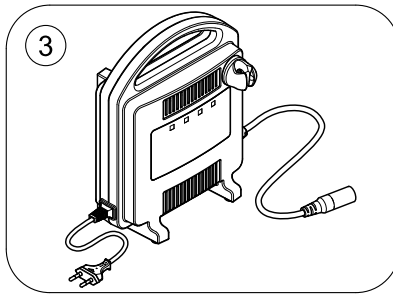
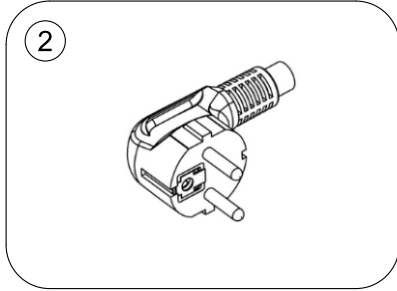
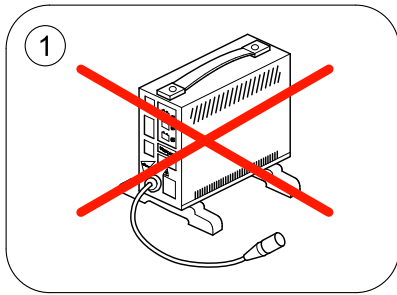
| | | | |
|---|-----------|--|---|
| 1 | - | (No longer available.) | 1 |
| 2 | P21079 | Power Cord - EU Plug Scooter | 1 |
| 3 | P21080 | (Power Cord - UK Plug (IEC 60320-C13 / BS 1363 Type G)) | 1 |
| 4 | 1443841 | (Power Cord - Swiss Plug (IEC 60320-C13 / SEV 1011 Type J)) | 1 |
| 5 | SP1553849 | (Power Cord - Israel Plug (IEC 60320-C13 / SI 32 Type H)) | 1 |
| 6 | SP1606541 | LADER OPTICHARGE COMET ALPINE+ [1343] | 1 |
| 6 | SP1606543 | (Charger OptiCharge 8A - UK Plug) [1343] | 1 |
| 6 | SP1606544 | LADER OPTICHARGE 10A OPTICHARGE [1313] Orion PRO only! | 1 |
| 6 | SP1606545 | (Charger OptiCharge 10A - UK-Plug) [1313] Orion PRO only! | 1 |
| 7 | 5813987 | LADER 8A COMET ALPINE+ [1388] | 1 |

(Chargers)



1653670.iso

| | | | |
|---|-----------|---|---|
| 1 | - | (No longer available.) | 1 |
| 2 | P21079 | Power Cord - EU PlugScooter | 1 |
| 3 | SP1606541 | LADER OPTICHARGE COMET ALPINE+ [1343] | 1 |
| 3 | SP1606544 | LADER OPTICHARGE 10A OPTICHARGE [1313] Orion PRO only! | 1 |
| 4 | 5813987 | LADER 8A COMET ALPINE+ [1388] | 1 |
| 5 | SP1653465 | Ladegerät 24V WPC-300 [1906] | 1 |

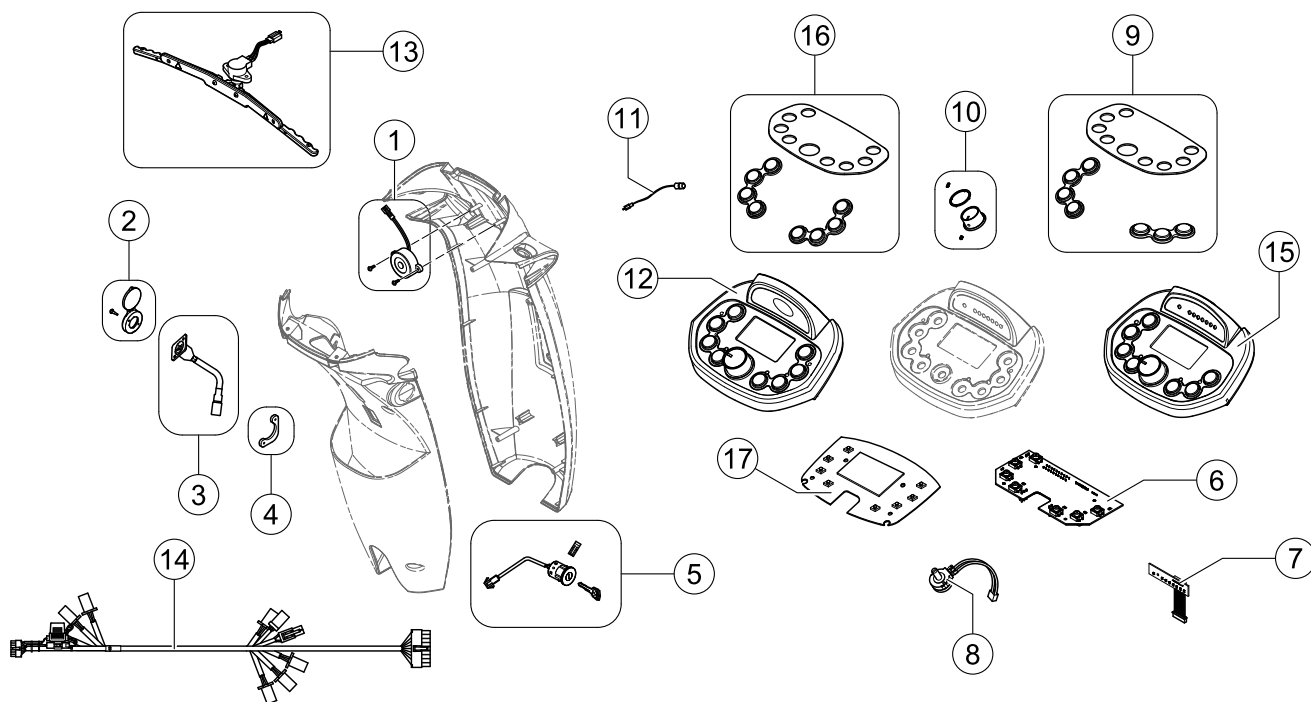


1662379.iso

| | | | |
|---|-----------|---|---|
| 1 | - | (No longer available.) | 1 |
| 2 | P21079 | Power Cord - EU PlugScooter | 1 |
| 3 | SP1606541 | LADER OPTICHARGEOMET ALPINE+ [1343] | 1 |
| 3 | SP1606544 | LADER OPTICHARGE 10A OPTICHARGE [1313] Orion PRO only! | 1 |
| 4 | 5813987 | LADER 8ACOMET ALPINE+ [1388] | 1 |
| 5 | SP1657471 | (Charger PF2408, 24V 8A (IP54) - EU Plug) | 1 |

(Electronic components)

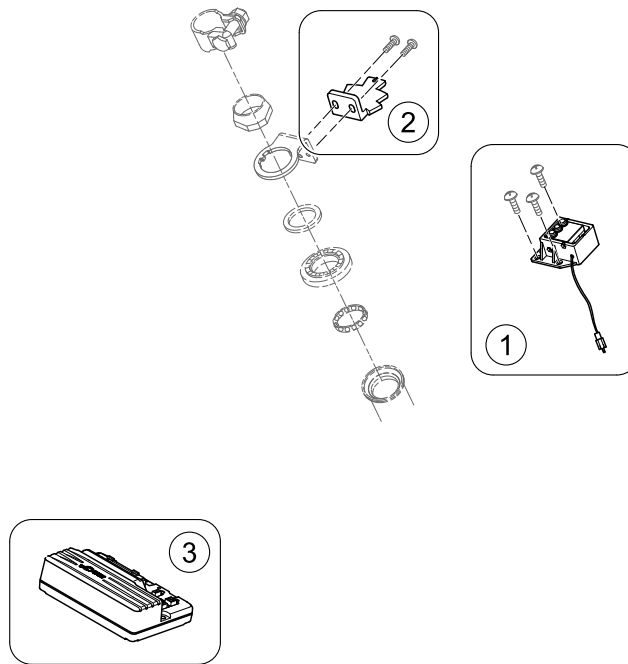
1638843 iso



| | | | |
|----|-----------|---|---|
| 1 | SP1506153 | BUZZER COMET ALPINE+ | 1 |
| 2 | SP1523534 | DEKSEL LADEKONTAKT COMET COMET ALPINE + | 1 |
| 3 | SP1523543 | LADEPLUGGCOMET ALPINE+ | 1 |
| 4 | SP1523544 | PLATE STYRE COMET | 1 |
| 5 | SP1505451 | LÅSESYLINDERCOMET ALPINE+ | 1 |
| 6 | SP1638848 | PC BoardOrion Metro/Pro | 1 |
| 7 | SP1638849 | (Meter & Lamp, P.C. Board LED) | 1 |
| 8 | SP1505462 | POTENSIOMETER GASSREG COMET ALPINE+ | 1 |
| 9 | SP1638847 | DISPLAY LEDORION PRO | 1 |
| 10 | SP1608207 | BRYTER FARTSINSTILLINGCOMET ALPINE+ | 1 |
| 11 | SP1608204 | TEMPERATURFØLERCOMET ALPINE+ | 1 |
| 12 | SP1608185 | PANEL KONPLETT M LCD COMET ALPINE+ | 1 |
| 13 | SP1608200 | GASSHENDEL KPL COMET | 1 |
| 14 | SP1640514 | (Wire Harness - Metro) | 1 |
| 14 | SP1608212 | LEDNINGSNETTORION PRO | 1 |
| 15 | SP1638963 | BETJENINGSPANELORION PRO | 1 |
| 16 | SP1637215 | (Display cover & rubber keys (LCD Display)) | 1 |
| 17 | SP1608208 | PRINTKORT STYRE COMET ALPINE + | 1 |

Invacare® Orion (Pegasus) METRO/PRO|(Electronic)
(Powerbox & Speed limit trigger)

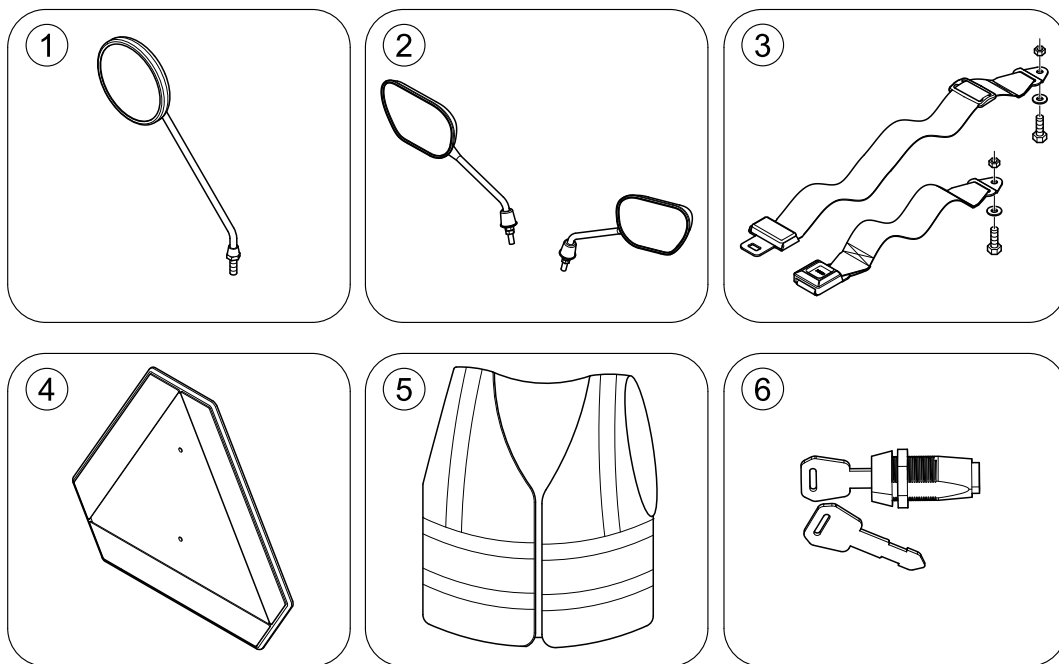
1640494 iso



| | | | |
|---|-----------|---|---|
| - | - | (For Mounting the Speed Reduction Switch, the Adjustment Gauge SP1581766 is needed!) | 1 |
| - | SP1581766 | Fartsbegrenser CometOrion | 1 |
| 1 | SP1556266 | BRYTER FARTSREDUKSJON COMET 2 GENERASJON <i>Metro 6 km/h</i> | 1 |
| 1 | SP1556282 | (Speed Limit Switch Box) <i>Metro & Pro 10 km/h</i> | 1 |
| 1 | SP1556281 | FARTSBEGRENSER BRYTERCOMET <i>Metro 12 km/h / Pro 12-15 km/h</i> | 1 |
| 2 | SP1608230 | BRACKET FARTSREDUKSJONCOMET ALPINE+ | 1 |
| 3 | SP1638850 | PowermodulOrion Rhino 290A DS90 <i>Metro & Pro 6 km/h. Please include the model and max. speed of the scooter in the comment section of your order to receive the correct programming of the controller.</i> | 1 |
| 3 | SP1553399 | STYRING MOTORORION PRO <i>Metro 10&12 km/h / Pro 10-15 km/h. Please include the model and max. speed of the scooter in the comment section of your order to receive the correct programming of the controller.</i> | 1 |
| 3 | 1638850 | (Controller 90A) <i>unprogrammed Module</i> | 1 |
| 3 | 1553399 | (Controller, Rhino2, 120A, DS120) <i>unprogrammed Module</i> | 1 |

(Safety)

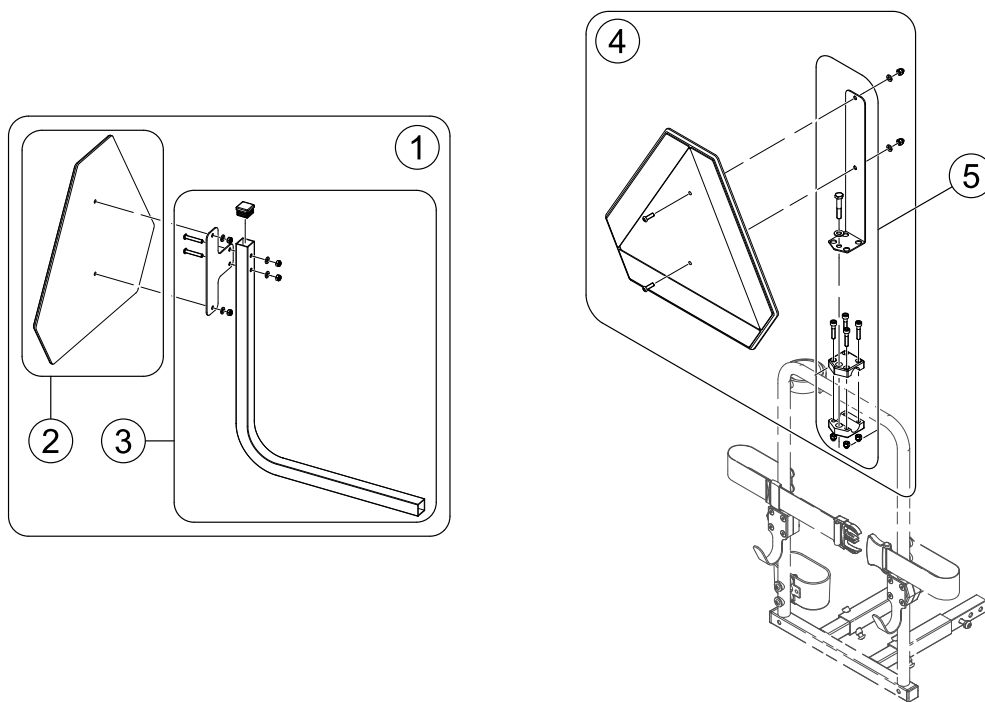
1640376.no



| | | | |
|---|-----------|-----------------------------|---|
| 1 | SP1518241 | SPEIL COMET | 1 |
| 2 | SP1637911 | SPEIL HIGH ENDCOMET ALPINE+ | 1 |
| 3 | SP1518274 | HOFTEBELTE COMET | 1 |
| 4 | - | (Warning Triangle) | 1 |
| 5 | SP1521592 | SIKKERHETSVESTCOMET ALPINE+ | 1 |
| 6 | SP1543154 | LÅS M 2 NØKLER UNIK COMET | 1 |

Invacare® Orion (Pegasus) METRO/PRO|(Spare parts for Accessories)
(Warning Triangle)

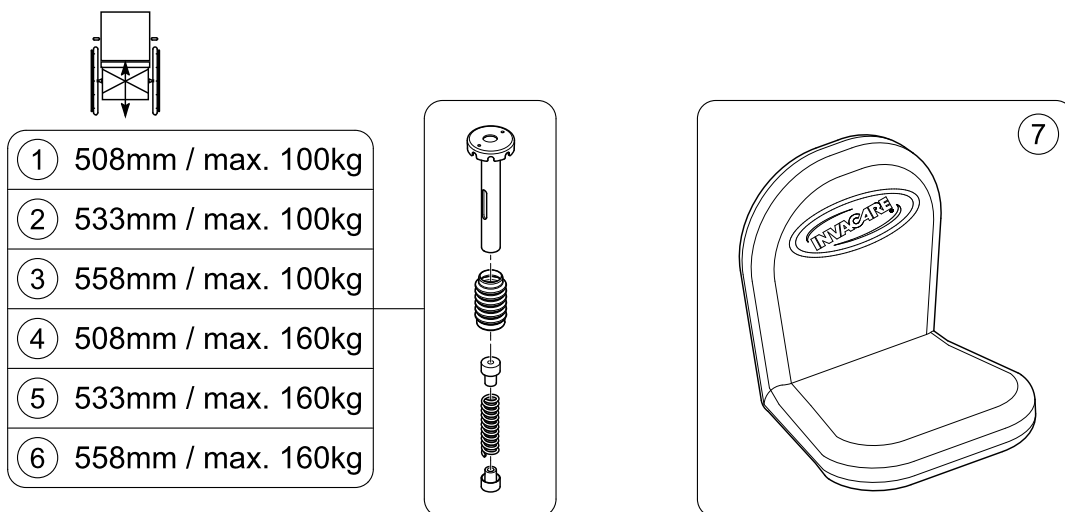
OrlComFig.8.iso



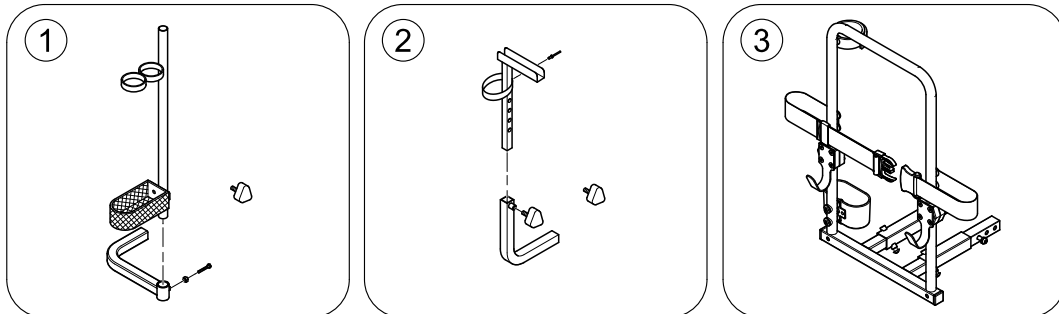
| | | | |
|---|-----------|--------------------------------------|---|
| 1 | SP1523648 | (Warning Triangle Scooter) | 1 |
| 2 | 1430834 | (Rear Marking Sign ECE-R 69) | 1 |
| 3 | SP1526913 | (Holder Warning Triangel) | 1 |
| 4 | SP1430410 | (Reflective Sign ECE-R 69, complete) | 1 |
| 5 | SP1580671 | (Bracket, Reflective Sign, cpl.) | 1 |

(Seating)

1640379 Iso

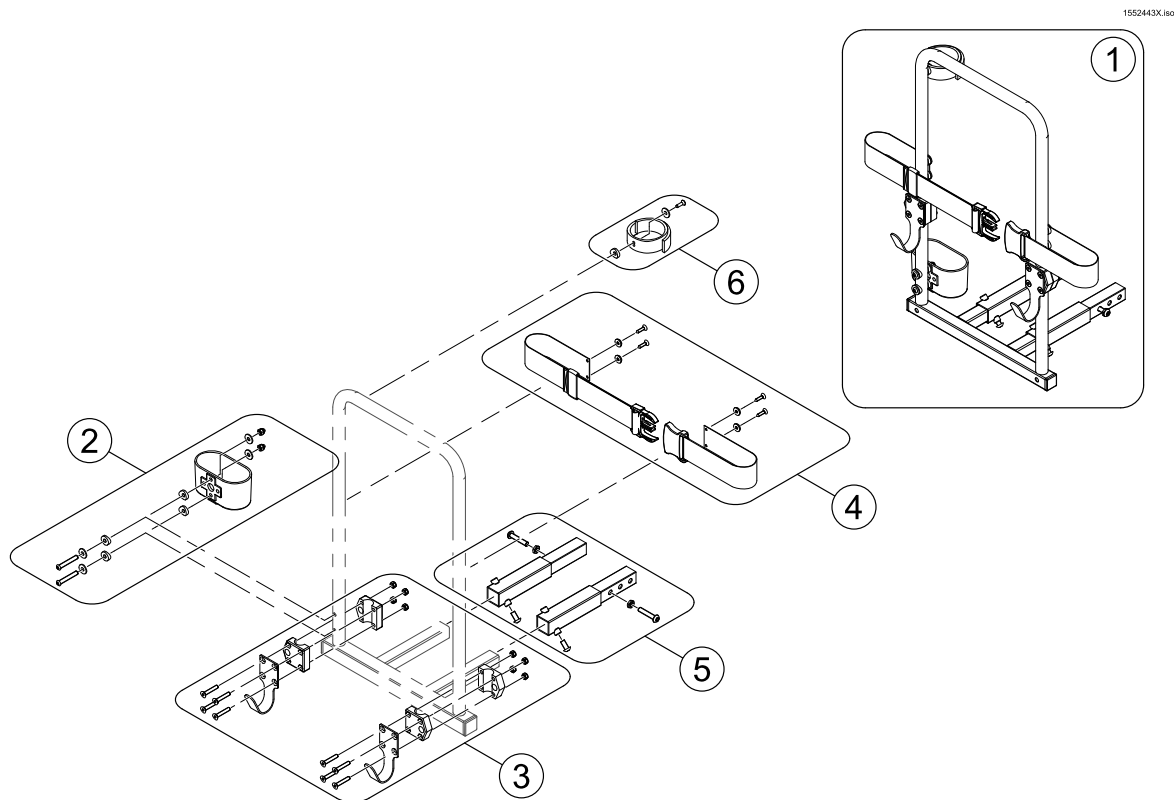


| | | | |
|---|-----------|--|---|
| 1 | SP1640422 | SETEFJÆRING ORION MYKORION PRO | 1 |
| 2 | SP1640424 | (Seat Suspension 226.5mm 201lbs) | 1 |
| 3 | SP1640426 | (Seat Suspension 251mm 201lbs) | 1 |
| 4 | SP1640423 | SETEFJÆRING ORION SH51ORION PRO | 1 |
| 5 | SP1640425 | SETEFJÆRING ORION SH53ORION PRO | 1 |
| 6 | SP1640427 | SETEFJÆRING ORION SH56ORION PRO | 1 |
| 7 | SP1521684 | SETETREKK STD COMET <i>Not HD Seat!</i> | 1 |



| | | | |
|---|-----------|--------------------------|---|
| 1 | SP1528274 | KRYKKEHOLDER COMET COMET | 1 |
| 2 | SP1505728 | HOLDER FOR GÅRAMME COMET | 1 |
| 3 | - | (Rollator bracket) | 0 |

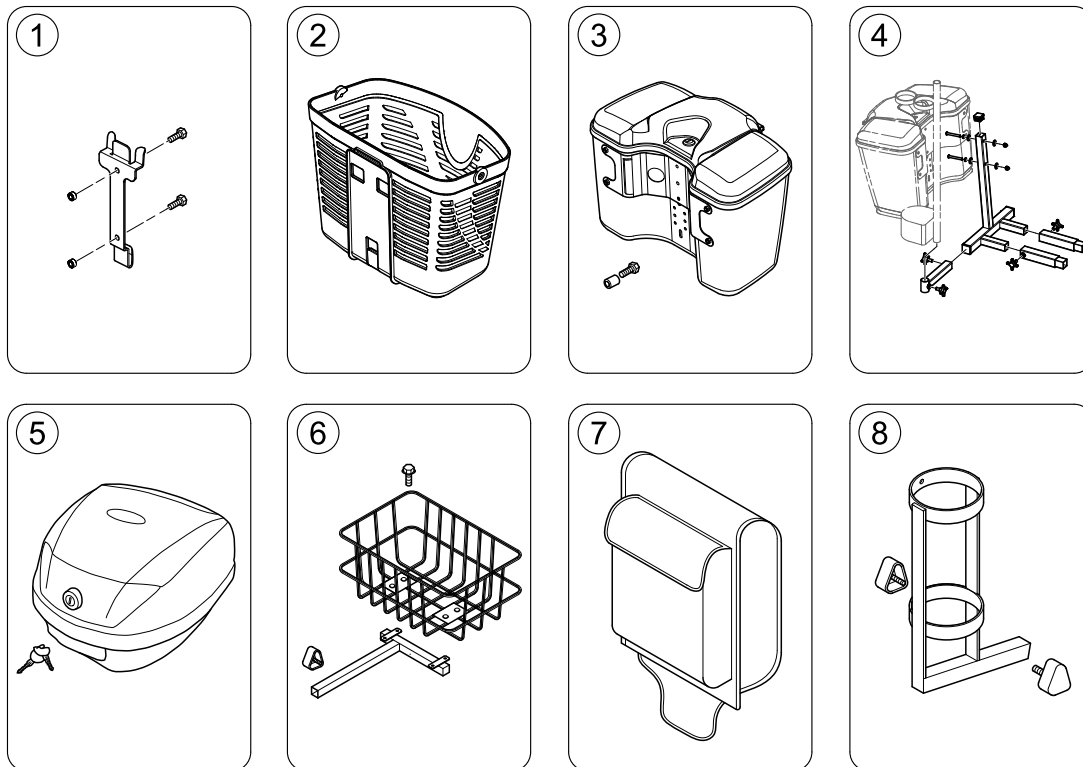
(Rollator bracket)



| | | | |
|---|-----------|---|---|
| 1 | SP1553851 | RULLATORHOLDER COMET UNI HVIS HD HUSK SP1552594 | 1 |
| 2 | SP1560465 | KRYKKEHOLDER KUN SKÅL COMET | 1 |
| 3 | SP1553890 | KROK HOLDER RULLATORCOMET ALPINE+ | 1 |
| 4 | SP1553891 | (Belt, cpl.) | 1 |
| 5 | SP1552594 | FORLENGER FESTE KRYKKEH COMET <i>only needed for Orion & Comet</i> | 1 |
| 6 | SP1640107 | REM KRYKKEHOLDERCOMET ALPINE+ | 1 |

(Storage)

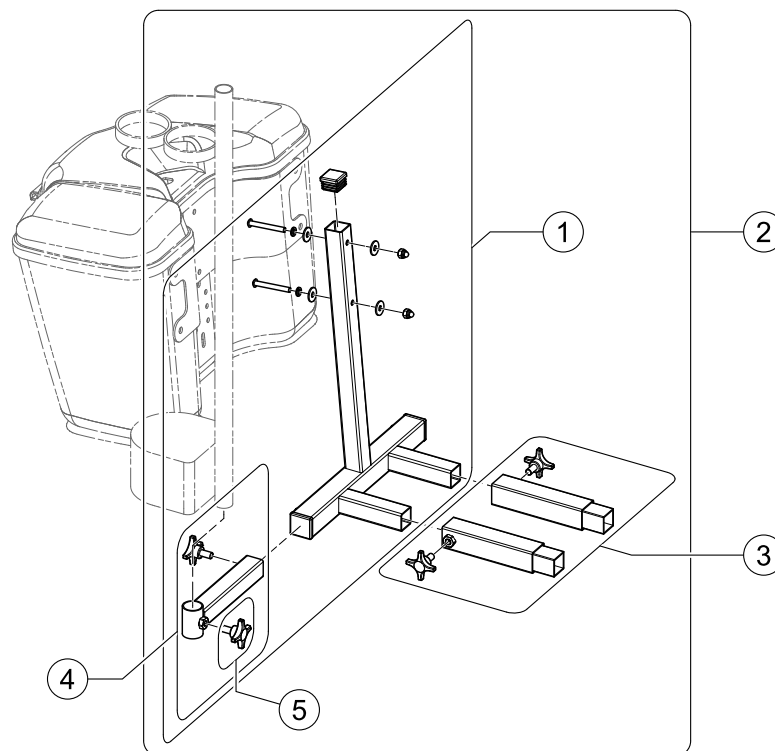
1640381.no



| | | | |
|---|-----------|--|---|
| 1 | SP1505924 | BRAKETT BAGASJEBOKSCOMET ALPINE+ | 1 |
| 2 | SP1577430 | KURV FORAN COMET+ ULTRA COMETA ALPINE+ | 1 |
| 2 | SP1637915 | KURV FORAN STOR COMET ALPINE+ | 1 |
| | | <i>Not shown / Non illustré / Nicht abgebildet</i> | |
| 3 | SP1637910 | BAGASJEBOKS FORAN COMET ALPINE+ | 1 |
| 4 | - | (Storage box rear bracket) | 1 |
| 5 | SP1637913 | BAGASJEBOKS LÅSBAR COMET ALPINE+ | 1 |
| 6 | SP1505727 | KURV BAK COMET COMET | 1 |
| 7 | SP1505731 | VESKE FOR RYGGCOMET ALPINE+ | 1 |
| 8 | SP1572971 | HOLDER OKSYGENFLASKE COMET ALPINE+ | 1 |

(Storage box rear bracket)

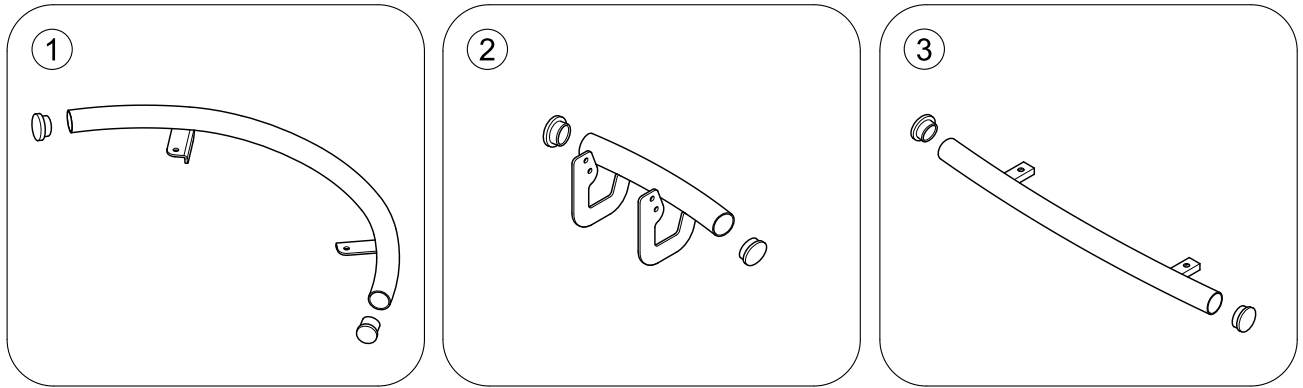
1552537X.iss



| | | | |
|---|-----------|---|---|
| 1 | SP1552536 | (Rear bracket for Storage box (Leo)) | 1 |
| 2 | SP1552537 | BRAKETT BAGASJEBOKS BAK COMET | 1 |
| 3 | SP1552594 | FORLENGER FESTE KRYKKEH COMET | 1 |
| 4 | SP1553854 | FESTE KRYKKEHOLDER COMET | 1 |
| 5 | 5824117 | STJERNEGREP FESTE NY MANØVERBOKS MOOVER | 1 |

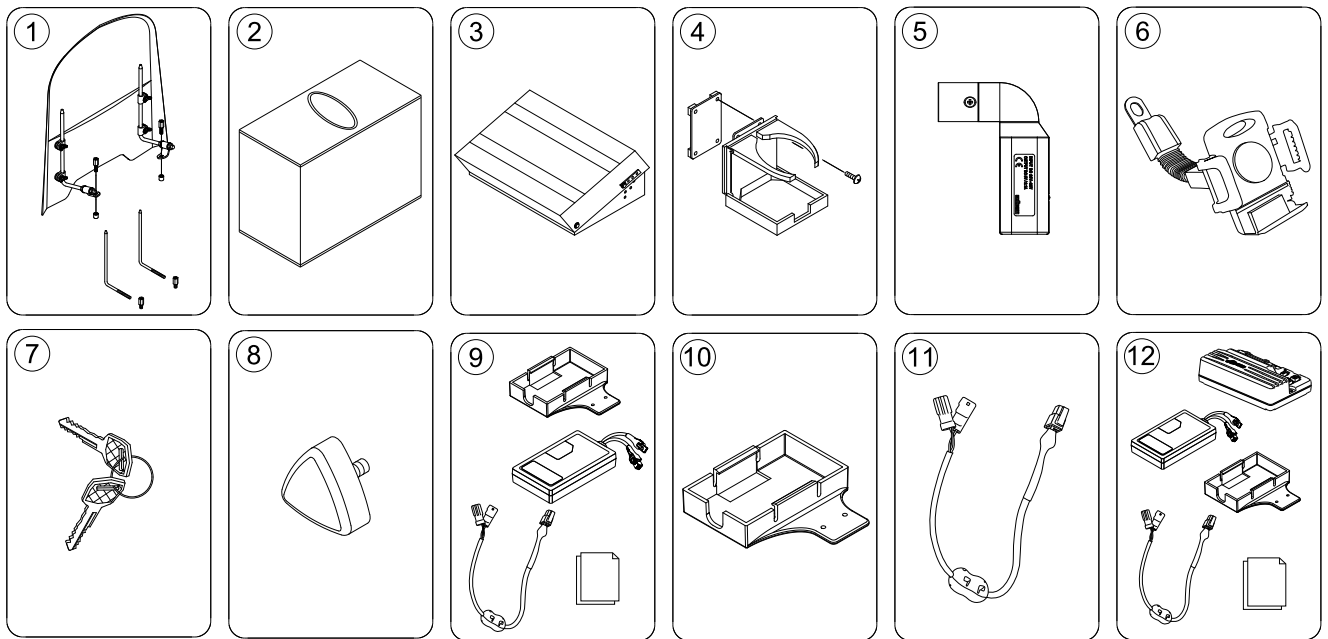
(Bumpers)

1639792.iso



| | | | |
|---|-----------|-------------------------------|---|
| 1 | SP1528275 | (Front Bumper, 3-Wheeler) | 1 |
| 2 | SP1638965 | STØTFANGER FORAN ORION PRO 4W | 1 |
| 3 | SP1638966 | STØTFANGER BAK ORION PRO 4W | 1 |

(Other Options)



ISPS16/0382

| | | | |
|----|-----------|---|---|
| 1 | SP1543160 | VINDSKJERM COMET | 1 |
| 2 | SP1518240 | PRESENNING COMET COMET | 1 |
| 3 | SP1637914 | FOTSKAMMEL JUSTERBAR COMET ALPINE + | 1 |
| 4 | SP1521594 | HOLDER KOPP COMET | 1 |
| 5 | SP1637917 | USB LADEUTTAK FOR COMET COMET ALPINE+ | 1 |
| 6 | SP1637912 | HOLDER TELEFON COMET ALPINE+ | 1 |
| 7 | SP1530211 | NØKKEL 2 STK STANDARD COMET | 1 |
| 8 | SP1507005 | TREKANTSKRUKNOTTCOMET ALPINE+ | 1 |
| 9 | 1663831 | (Zeta Connectivity Kit) <i>Works with scooters that have a DS90 / DS120 / DS160 controller with firmware v1.24. This is indicated by a Connectivity Ready sticker on the inside of the tiller.</i> | 1 |
| 10 | 1663838 | (Mounting Bracket Zeta) | 1 |
| 11 | 1663839 | (Cable Loom Zeta) <i>Replacement for item in 1663831</i> | 1 |
| 12 | 1663931 | (Zeta DS90 retro fit kit) <i>For scooter with DS90 controller with firmware v1.23 and earlier (no Connectivity Ready sticker). Contains 1638850 and 1663831. Controller must be programmed for specific model after replacement.</i> | 1 |
| 12 | 1663932 | (Zeta DS120 retro fit kit) <i>For scooter with DS120 controller with firmware v1.23 and earlier (no Connectivity Ready sticker). Contains 1553399 and 1663831. Controller must be programmed for specific model after replacement.</i> | 1 |



Yes, you can.®



Belgium & Luxemburg:

Invacare nv, Autobaan 22, B-8210 Loppem
Tel: (32) (0)50 83 10 10, Fax: (32) (0)50 83 10 11
marketingbelgium@invacare.com / www.invacare.be

Denmark:

Invacare A/S, Sdr. Ringvej 37, DK-2605 Brøndby
Tel: (45) (0)36 90 00 00, Fax: (45) (0)36 90 00 01
denmark@invacare.com / www.invacare.dk

Deutschland:

Invacare GmbH, Am Achener Hof 8, D-88316 Isny
Tel: (49) (0)7562 700 0
kontakt@invacare.com / www.invacare.de

EU Export:

Invacare Poirier SAS, Route de St Roch, F-37230 Fondettes
Tel: (33) (0)2 47 62 64 66
eu-export@invacare.com / www.invacare.eu.com

España:

Invacare SA, Avenida del Oeste Nº50 , 1ª 1ª, Valencia , CP: 46001
Tel: (34) (0)972 49 32 14
contactsp@invacare.com / www.invacare.es

France:

Invacare Poirier SAS, Route de St Roch, F-37230 Fondettes
Tel: (33) (0)2 47 62 64 66
contactfr@invacare.com / www.invacare.fr

Ireland:

Invacare Ireland Ltd, Unit 5 Seatown Business Campus, Seatown Road, Swords, County Dublin, EirCode: K67 K271 - Ireland
Tel: (353) 1 810 7084, Fax: (353) 1 810 7085
ordersireland@invacare.com / www.invacare.ie

Italia:

Invacare Mecc San s.r.l., Via dei Pini 62, I-36016 Thiene (VI)
Tel: (39) 0445 38 00 59
servizioclienti@invacare.com / www.invacare.it

Nederland:

Invacare B.V., Galvanistraat 14-3, 6716 AE Ede
Tel: (31) (0)318 695 757
nederland@invacare.com / www.invacare.nl

Norge:

Invacare AS, Brynsveien 15, 0667 Oslo, Postboks 6230, Etterstad, N-0603 Oslo
Tel: (47) (0)22 57 95 00, Fax: (47) (0)22 57 95 01
norway@invacare.com / www.invacare.no

Österreich:

Invacare Austria GmbH, Herzog Odilostrasse 101, A-5310 Mondsee
Tel: (43) 6232 5535 0, Fax: (43) 6232 5535 4
info-austria@invacare.com / www.invacare.at

Portugal:

Invacare Lda, Rua Estrada Velha, 949, P-4465-784 Leça do Balio
Tel: (+351) 225 193 360
marketing.pt@invacare.com / www.invacare.pt

Sverige & Suomi:

Invacare AB, Fagerstagatan 9, S-163 91 Spånga
Tel: (46) (0)8 761 70 90, Fax: (46) (0)8 761 81 08
sweden@invacare.com / www.invacare.se

Switzerland:

Invacare AG, Benkenstrasse 260, CH-4108 Witterswil
Tel: (41) (0)61 487 70 80, Fax: (41) (0)61 487 70 81
switzerland@invacare.com / www.invacare.ch

United Kingdom:

Invacare Limited, Unit 4, Pencoed Technology Park, Bridgend CF35 5AQ
Switchboard Tel: (44) (0)1656 776200
Customer services Tel: (44) (0)1656 776222
csmobilityuk@invacare.com
cslifestyleuk@invacare.com
uk@invacare.com / www.invacare.co.uk